



PROFESSIONAL CUBICLE SYSTEM

奥高专业隔断系统

AOGAO



佛山市奥高建材有限公司
Foshan AOGAO Building Material Co., Ltd.

广州市奥高建材装饰有限公司
Guangzhou AOGAO Building Material Decoration Co., Ltd.

佛山市南海区里水镇里和路得胜段103号
NO.103 Desheng Lihe Road Lishui Town Nanhai District Foshan City Guangdong China

Tel: 0757-85628771 85628772
Fax: 0757-85628776 85628721
E-mail: aogao@vip.163.com

A PROFESSIONAL MANUFACTURER
OF BUILDING MATERIALS

二十年专注一个领域，从未停止前进。



Contents +

目录

IA AOGAO CUBICLES SYSTEM 卫生间隔断系统 01-76

| | | |
|---------|--------------|-------|
| 08系列 | 08 Series | 03/04 |
| 09系列 | 09 Series | 07/08 |
| 10系列 | 10 Series | 09/10 |
| 11系列 | 11 Series | 13/14 |
| 12系列 | 12 Series | 15/16 |
| 13系列 | 13 Series | 17/18 |
| 14系列 | 14 Series | 19/20 |
| 18系列 | 18 Series | 21/22 |
| 19系列 | 19 Series | 23/24 |
| 20系列 | 20 Series | 25/26 |
| 23系列 | 09 Series | 27/28 |
| 21、23系列 | 21、23 Series | 29/30 |
| 22系列 | 22 Series | 31/32 |
| 24系列 | 24 Series | 33/34 |
| 25系列 | 25 Series | 35/36 |
| 26系列 | 26 Series | 37/38 |
| 27系列 | 27 Series | 39/40 |
| 28系列 | 28 Series | 41/42 |
| 29系列 | 29 Series | 43/44 |
| 30系列 | 30 Series | 45/46 |
| OD-EP系列 | OD-EP Series | 47/48 |
| 33系列 | 33 Series | 49/50 |
| 77系列 | 66 Series | 51/52 |
| 66系列 | 77 Series | 53/54 |
| 88系列 | 88 Series | 55/56 |
| 99系列 | 99 Series | 57/58 |
| 81系列 | 81 Series | 59/60 |
| 83系列 | 83 Series | 61/62 |
| OD-BB系列 | OD-BB Series | 63/64 |
| OA系列 | OASeries | 65/66 |
| 复合板专用锁 | 复合板专用锁 | 67/68 |
| 复合板专用合页 | 复合板专用合页 | 69/70 |
| 另可选配件 | 另可选配件 | 71/72 |
| 可选配件 | 可选配件 | 73/74 |
| 卫生间安装步骤 | 卫生间安装步骤 | 75/76 |

IB INTERIOR WALL SYSTEM + 内墙系统 77-88

| | | |
|----------|------------------------------|-------|
| 内墙系统简介 | Interior wall system profile | 79/80 |
| 应用场合 | Applications | 79/80 |
| 墙身系统分部细节 | Wall system section details | 85/86 |

IC LOCKERS SYSTEM + 储物柜系统 89-100

| | | |
|-----------|-------------------------------------|--------|
| 储物柜系统应用场合 | Locker System Application Occasions | 75/81 |
| 海力斯系列 | Halishi Series | 93/94 |
| 百乐富系列 | BAI LE FU Series | 99/100 |

ID COMPACT BOARD EXTENDED APPLICATION SYSTEM + 康贝特板扩展应用系统 101-108

| | | |
|-------------|--|-----|
| 户外专用板 | Out-door Panel | 103 |
| 实验室专用板(理化板) | Laboratory Board (physiochemical Board) | 104 |
| 办公家具的应用 | The Application Of Office Furniture | 106 |

IE ALUMINUM SYSTEM + 铝材系统 109-118

| | | |
|------|------------------|---------|
| 铝材系列 | Aluminum Series | 111/112 |
| 工程案例 | Project Instance | 117 |

从这里出发，我们将迈向世界的更远方

Start from now , we will lead the world towards the better future .

我们心锐志远，奥高望远，才能览物于胸，望得越远所追求更高。

We are strict with ourselves , have a lofty ambition and working hard to create a better future .The higher we stand , the further we can see .



A
AOGAO
CUBICLES
SYSYTEM
卫生间隔断系统



06 系列 / STAINLESS STEEL 304[#]
 Series / 纯304[#]不锈钢材质

06 系列

STAINLESS STEEL 304[#]
 纯304[#]不锈钢材质



06-02 锁面
Indicator lock

06-05 拉手
Handle

06-02 锁背
Lock back

06-04 合页
Hinge

06-01 角码
Corner fastener

06-06 挂衣物
Clothes hook

06-03 支架
Adjustable leg



07-02锁面
 Indicator lock

07-04合页
 Hinge

07-02锁背
 Lock back

07-01角码
 Corner fastener

07-06挂衣钩
 Clothes hook

07-03支架
 Adjustable leg



08系列 Series

STAINLESS STEEL 304#

纯304# 不锈钢材质

08系列 Series

纯304# 不锈钢材质 Stainless steel 304#

奥高，只为你而完美。
AOGAO, perfect only for you.



08-2锁面
Indicator lock surface

08-4平门合页
Hinge

08-2锁背
Indicator lock back

08-6挂衣钩
Clothes hook

08-3支脚
Adjustable leg

08-1角码
Corner fastener



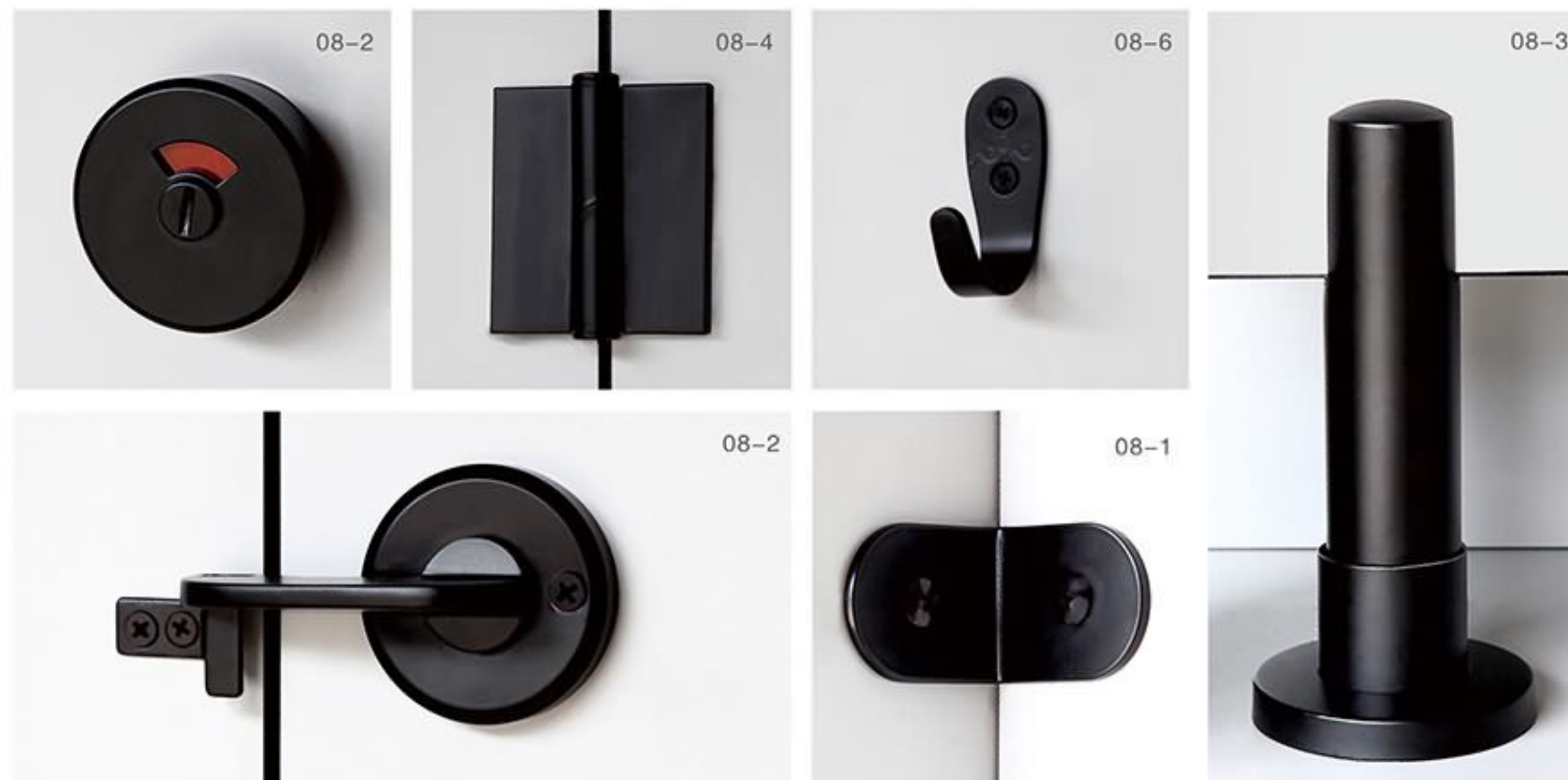
08系列
Series
STAINLESS STEEL 304[#]
纯304[#] 不锈钢材质

08系列 Series

不锈钢材质、黑色哑光喷漆 Stainless steel

设计概念从无到有。
Design concept from scratch

——— 钢芯合页、一体成型



08-2锁面
Indicator lock surface

08-4平门合页
Hinge

08-6挂衣钩
Clothes hook

08-3支脚
Adjustable leg

08-2锁背
Indicator lock back

08-1角码
Corner fastener



09系列
Series
STAINLESS STEEL & ALLOY
MATERIAL COMBINATION
合金、不锈钢材质组合

09系列 Series

合金、不锈钢材质组合 Stainless steel & alloy material combination

因为经典，所以无惧时间考验*
No need to whitewash because of perfect

——— 弹力合页、不分左右



09-2锁面
Indicator lock surface

09-4平门合页
Hinge

09-6挂衣钩
Clothes hook

09-3支脚
Adjustable leg

09-2锁背
Indicator lock back

09-4合页盖子
Hinge

09-1角码
Corner fastener



10 Series

STAINLESS STEEL & ALLOY
MATERIAL COMBINATION

锌合金材质

10系列 Series

锌合金材质 雾银色 Zinc alloy material

因为完美，所以无需粉饰。
No need to whitewash because of perfect



(内、外开) 常闭 15度常开
升降合页、不分左右，
可调15度常开，可调常闭



10-2锁面
Indicator lock surface (pearl chrome)

10-4平门合页
Hinge (pearl chrome)

10-6挂衣钩
Clothes hook (pearl chrome)

10-3支脚
Adjustable leg (pearl chrome)

10-2锁背
Indicator lock back (pearl chrome)

10-1角码
Corner fastener (pearl chrome)

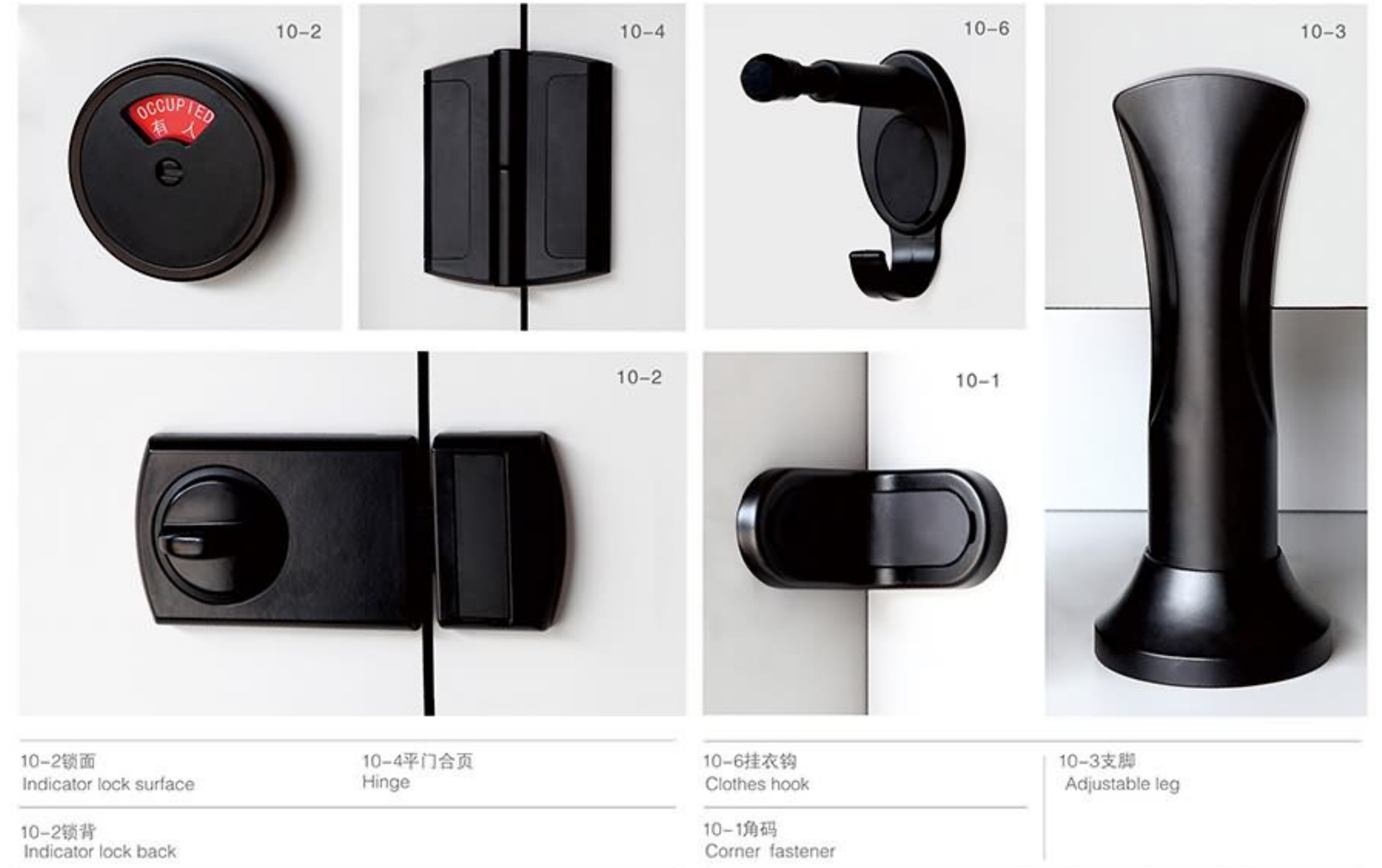


10系列
Series
STAINLESS STEEL & ALLOY
MATERIAL COMBINATION
锌合金材质

10系列 Series

锌合金材质 黑色哑光喷漆 Zinc alloy material

求实求工 精工细琢。
We are realistic to find the truth and keep improving





11 系列 Series

STAINLESS STEEL & ALLOY
MATERIAL COMBINATION

合金、不锈钢材质组合

11 系列 Series

合金、不锈钢材质组合 Stainless steel & alloy material combination

精致生活, 时尚品味, 完美品质, 专业打造

Exquisite life, fashion taste; perfect quality, professional building



11-2 锁面
Indicator lock surface

11-4 平门合页
Hinge

11-6 挂衣钩
Clothes hook

11-3 支脚
Adjustable leg

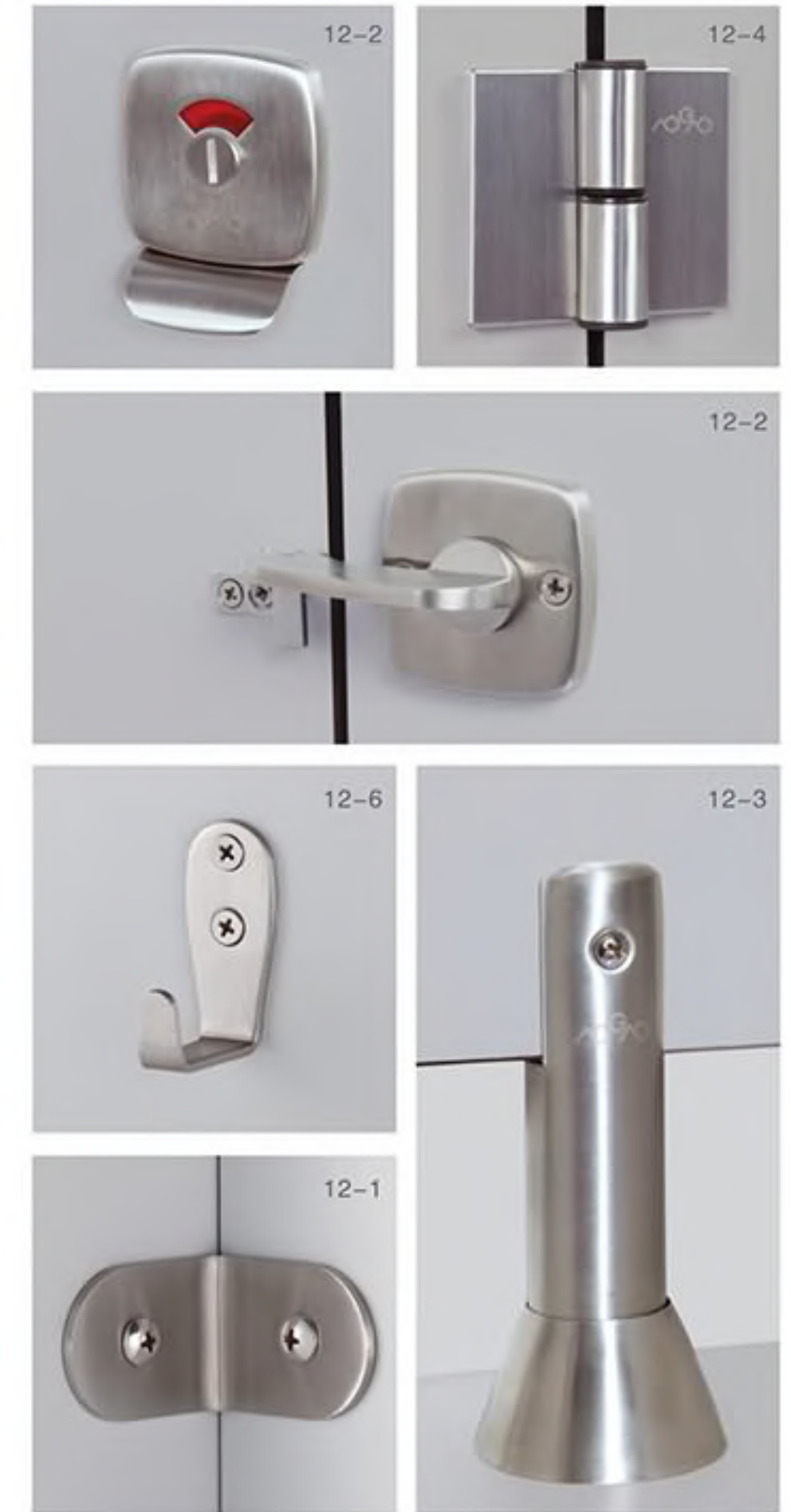
11-2 锁背
Indicator lock back

11-1 角码
Corner fastener



12系列 Series

纯304# 不锈钢材质 Stainless steel 304#



12系列 Series

STAINLESS STEEL 304#
纯304# 不锈钢材质

| | |
|----------------------------------|--------------------------|
| 12-2锁面 Indicator lock surface | 12-4平门合页 Hinge |
| 12-2锁背 Indicator lock back | |
| 12-6挂衣钩 Clothes hook | 12-3支脚 Adjustable leg |
| 12-1角码 Corner fastener | |



13系列 Series

STAINLESS STEEL & ALLOY
MATERIAL COMBINATION

合金、不锈钢材质组合

13系列 Series

合金、不锈钢材质组合 Stainless steel & alloy material combination



13-2锁面
Indicator lock surface

13-4平门合页
Hinge

13-6挂衣钩
Clothes hook

13-3支脚
Adjustable leg

13-2锁背
Indicator lock back

13-1角码
Corner fastener



14系列 Series

ALUMINUM MATERIAL
纯铝材质

14系列 Series

纯铝材质 Aluminum material

原来生活可以这么“酷”
Life can be so "cool"



14-2锁面
Indicator lock surface

14-4平门合页
Hinge

14-2锁背
Indicator lock back

14-6挂衣钩
Clothes hook

14-3支脚
Adjustable leg

14-1角码
Corner fastener



18 系列 Series

ROMAN-STYLE COLUMN,
ALLOY MATERIAL
COMBINATION

罗马柱、合金材质组合

18系列 Series

罗马柱、合金材质组合 Roman-style column, alloy material combination



18-2锁面 (珍珠铬)
Indicator lock surface (pearl chrome)



18-2锁面(钢色)
Indicator lock surface (steel color)



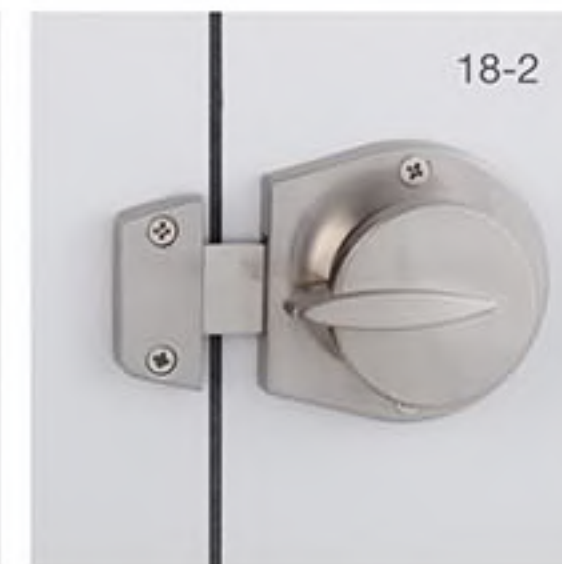
18-32拉杆
Aluminum bar



18-6挂衣钩
Clothes hook



18-2锁背 (珍珠铬)
Indicator lock back (pearl chrome)



18-2锁背(钢色)
Indicator lock back (steel color)



18-3(副脚)支脚
Adjustable leg

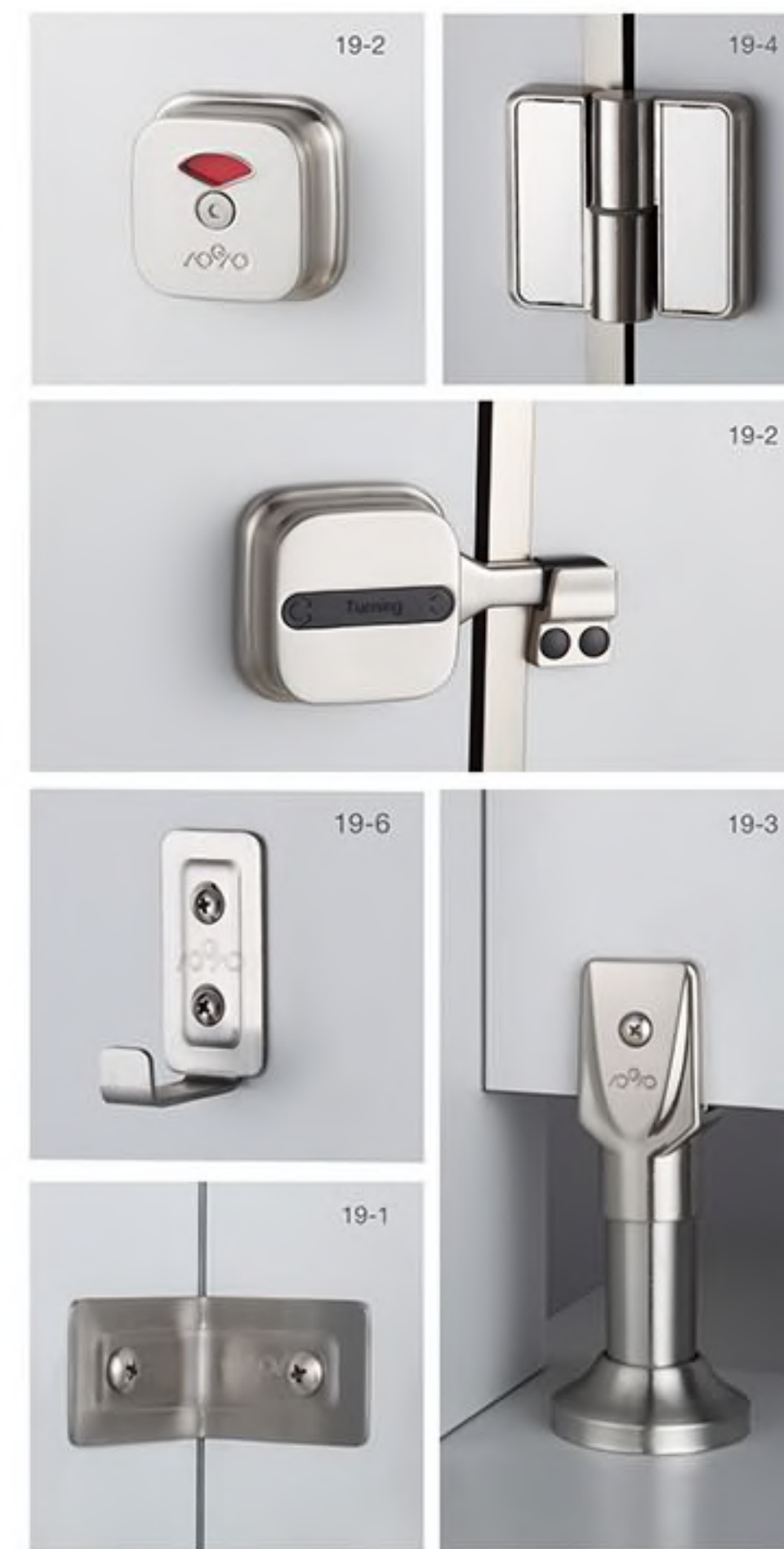


18-3弹力支脚
Elastic adjustable leg



19系列 Series

合金、不锈钢材质组合 Stainless steel & alloy material combination



19系列 Series

STAINLESS STEEL & ALLOY
MATERIAL COMBINATION

合金、不锈钢材质组合

19-2锁面
Indicator lock surface

19-4平门合页
Hinge

19-2锁背
Indicator lock back

19-6挂衣钩
Clothes hook

19-3支脚
Adjustable leg

19-1角码
Corner fastener



20 Series
STAINLESS STEEL & ALLOY
MATERIAL COMBINATION

合金、不锈钢材质组合

20系列 Series

合金、不锈钢材质组合 Stainless steel & alloy material combination



20-2锁面
Indicator lock surface

20-4平门合页
Hinge

20-6挂衣钩
Clothes hook

20-3支脚
Adjustable leg

20-2锁背
Indicator lock back

20-1角码
Corner fastener

23 系列 Series

STAINLESS STEEL & ALLOY
MATERIAL COMBINATION

合金、不锈钢材质组合

21系列 Series

合金、不锈钢材质组合 stainless steel & alloy material combination

潇洒随意，风格独特
a special style in a natural
and unrestrained way



21-2锁面
Indicator lock surface

21-4平门合页
Hinge

21-4B叠面合页
Folding hinge

21-3支脚
Adjustable leg

21-6挂衣钩
Clothes hook

21-1角码
Corner fastener

21-5拉手
Knob

21-2平门锁背
Lock back

21-2B叠门锁背
Lock back



23系列 Series

合金、不锈钢材质组合 stainless steel & alloy material combination

经典的不会褪色，完美的才能永恒.....
Classic will never fade, the perfect can be eternal



23-2锁面
Indicator lock surface

23-4平门合页
Hinge

23-2锁背
Indicator lock back

23-6挂衣钩
Clothes hook

23-1角码
Corner fastener

23-3支脚
Adjustable leg

23-5门拉手
Knob



22系列 Series

合金、不锈钢材质组合 stainless steel & alloy material combination



22系列 Series

STAINLESS STEEL & ALLOY
MATERIAL COMBINATION

合金、不锈钢材质组合

22-2锁面
Indicator lock surface

22-4平门合页
Hinge

22-2锁背
Indicator lock back

22-6挂衣钩
Clothes hook

22-1角码
Corner fastener

22-3支脚
Adjustable leg

22-5门拉手
Knob



24 系列
Series
STAINLESS STEEL & ALLOY
MATERIAL COMBINATION
合金 不锈钢材质组合

24系列 Series

合金、不锈钢材质组合 stainless steel & alloy material combination

原来生活可以这么“酷”……
Life can be so "cool"……



24-2锁面
Indicator lock surface

24-4平门合页
Hinge

24-6挂衣钩
Clothes hook

24-3支脚
Adjustable leg

24-2锁背
Indicator lock back

24-1角码
Corner fastener



25系列
Series
ALUMINUM COLUMN,
ALLOY MATERIAL
COMBINATIONS
铝质方柱、合金材质组合

25系列 Series

铝质方柱、合金材质组合 Aluminum column, alloy material combinations

放飞梦想 时尚空间.....

Flying dreams fashion spaces.....



25-2锁面 (珍珠铬)
Indicator lock surface (pearl chrome)

25-2锁面 (钢色)
Indicator lock surface (steel color)

25-6挂衣钩 (珍珠铬)
Clothes hook (pearl chrome)

25-2锁背 (珍珠铬)
Indicator lock back (pearl chrome)

25-4合页 (珍珠铬)
Hinge (pearl chrome)

25-4合页 (钢色)
Hinge (steel color)

25-18门边 (钢拉丝)
Door frame (brushed steel)

25-18脚套/拉杆 (喷沙银)
Foot cover/Bar (sandblast silver)



26系列
Series
STAINLESS STEEL 304[#]
纯304[#] 不锈钢材质

26系列 Series

纯304[#] 不锈钢材质 Stainless steel 304[#]

放飞梦想 时尚空间.....
Flying dreams fashion spaces.....



26-4平门合页
Hinge

26-4B叠门合页
Folding hinge

26-2锁面
Indicator lock surface

26-2平门锁背
Indicator lock back

26-2B叠门锁背
Indicator lock back

26-3支脚
Adjustable leg

26-1角码
Corner fastener

26-6挂衣钩
Clothes hook

26-5门拉手
Knob



27系列 Series

纯304[#] 精铸不锈钢材质 Stainless steel 304[#]

质量决定成败

Quality determines success



27系列 Series

STAINLESS STEEL 304[#]
纯304[#] 精铸不锈钢材质

27-2锁面
Indicator lock surface

27-4平门合页
Hinge

27-2锁背
Indicator lock back

27-6挂衣钩
Clothes hook

27-3支脚
Adjustable leg

27-1角码
Corner fastener



28系列
Series
STAINLESS STEEL 304[#]
纯304[#]精铸不锈钢材质

28系列 Series

纯304[#] 精铸不锈钢材质 Stainless steel 304[#]

奥高，只为你而完美。
AOGAO, perfect only for you



28-2锁面
Indicator lock surface

28-4平门合页
Hinge

28-6挂衣钩
Clothes hook

28-3支脚
Adjustable leg

28-2锁背
Indicator lock back

28-1角码
Corner fastener



29 系列
Series
STAINLESS STEEL 304[#]
纯304[#] 精铸不锈钢材质

29系列 Series

纯304[#] 精铸不锈钢材质 Stainless steel 304[#]

更多的专业给你的卫生间。
More professional to your washroom



29-2锁面
Indicator lock surface

29-4平门合页
Hinge

29-6挂衣钩
Clothes hook

29-3支脚
Adjustable leg

29-2锁背
Indicator lock back

29-1角码
Corner fastener



30 系列
Series
STAINLESS STEEL 304[#]
纯304[#] 不锈钢材质

30 系列 Series

纯304[#] 不锈钢材质 Stainless steel 304[#]



30-2 锁面
Indicator lock surface

30-4 弹力合页
Elastic hinge

30-1 角码
Corner fastener

30-3 支脚
Adjustable leg

30-2 锁背
Indicator lock back

30-6 挂衣钩
Clothes hook

30-5 门拉手
Knob



OD-EP 系列
Series
STAINLESS STEEL 304[#]
纯304[#] 不锈钢材质

OD-EP系列 Series

纯304[#] 不锈钢材质 Stainless steel 304[#]



OD-EP-1角码
Corner fastener

OD-EP-4B叠门合页
Folding hinge

OD-EP-2锁面
Indicator lock surface

OD-EP-2锁背
Indicator lock back

OD-EP-6挂衣钩
Clothes hook

OD-EP-3支脚
Adjustable leg

OD-EP-4平门合页
Hinge

OD-EP-8法兰
Flange

OD-EP-7吊夹
Clamp

OD-EP-5门拉手
Knob



33系列 Series

罗马柱、合金材质组合 Roman-style column, alloy material combination



33系列 Series

ROMAN-STYLE COLUMN,
ALLOY MATERIAL
COMBINATION

罗马柱、合金材质组合

| | |
|--|--|
| 33-2锁面 Indicator lock surface | 33-4平门合页 Hinge |
| 33-2锁背 Indicator lock back | 33-6挂衣钩 Clothes hook |
| 33-19铝质门柱(18mm板) Aluminum door frame (18mm panel) | 33-21铝质上拉杆(18mm板) Aluminum bar (18mm panel) |
| 33-14铝质上拉杆(12mm板) Aluminum bar (12mm panel) | 33-10铝质门柱(12mm板) Aluminum door frame (12mm panel) |



66系列
Series
STAINLESS STEEL & ALLOY
MATERIAL COMBINATION
合金、不锈钢材质组合

66系列 Series

合金、不锈钢材质组合 Stainless steel & alloy material combination

因为经典，所以不惧时间考验；

因为完美，所以无需粉饰。

Stand the test of time because of classic

No need to whitewash because of perfect



66-2锁面
Indicator lock surface

66-4平面合页
Hinge

66-1角码
Corner fastener

66-3支脚
Adjustable leg

66-2锁背
Indicator lock back

66-6挂衣钩
Clothes hook

66-5门拉手
Knob



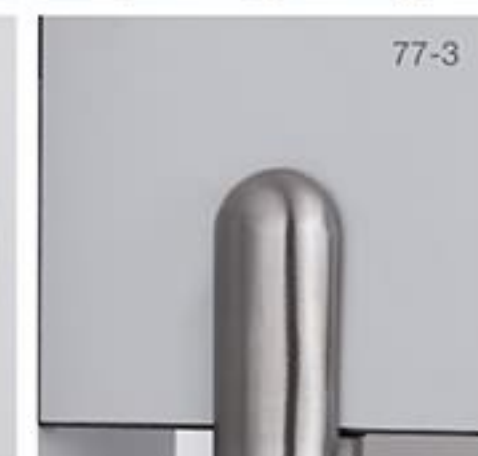
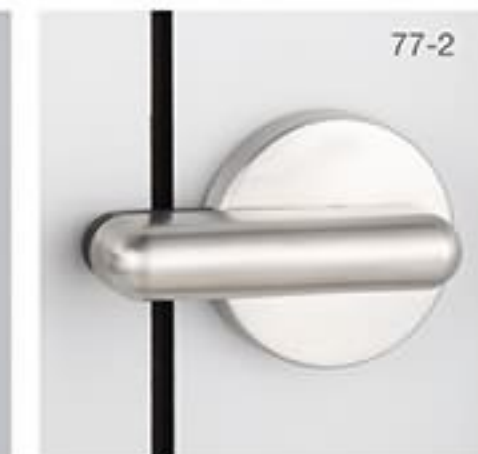
77 系列 Series

STAINLESS STEEL 304#
纯304# 精铸不锈钢材质

77 系列 Series

纯304#精铸不锈钢材质 Stainless steel #304

创新的造型，将心情绽放.....
innovative styling, bloom your mood



77-2锁面
Indicator lock surface

77-4平门合页
Hinge

77-6挂衣钩
Clothes hook

77-1角码
Corner fastener

77-5门拉手
Knob

77-2锁背
Indicator lock back

77-8法兰
Flange

77-7吊夹
Clamp

77-3支脚
Adjustable leg



88 系列
Series
STAINLESS STEEL #304
纯304#精铸不锈钢材质

88系列 Series

纯304#精铸不锈钢材质 Stainless steel #304

精致生活,时尚品味,完美品质,专业打造
Exquisite life, fashion taste; perfect quality, professional building



88-2锁面
Indicator lock surface

88-2锁背
Indicator lock back

88-1角码
Corner fastener

88-3支脚
Adjustable leg

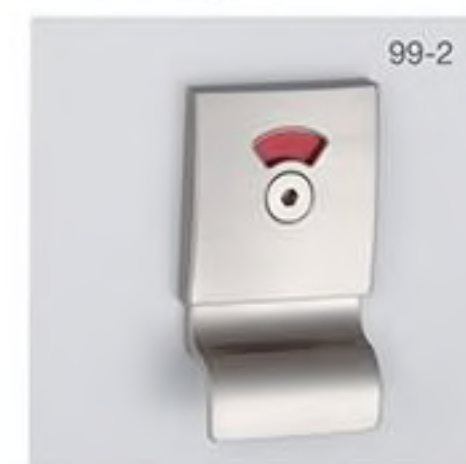
88-4平门合页
Hinge

88-4合页背面
Hinge back

88-6挂衣钩
Clothes hook

99系列 Series

纯铝、合金材质组合 Aluminum & alloy material combination



99-2锁背
Indicator lock back

99-12上合页
Lower hinge

99-12下合页
Upper hinge

99-2锁面
Indicator lock surface

99-3脚套
Foot cover

99系列 Series

ALUMINUM & ALLOY
MATERIAL COMBINATION

纯铝、合金材质组合



81 系列 Series

纯铝材质 Aluminum material



81-2锁面
Indicator lock surface

81-4平门合页
Hinge

81-2锁背
Indicator lock back

81-6挂衣钩
Clothes hook

81-1角码
Corner fastener

81-3支脚
Adjustable leg

81-8法兰
Flange

81-7吊夹
Clamp

81 系列 Series

ALUMINUM MATERIAL

纯铝材质



83系列
Series
ALUMINUM COLUMN,
ALLOY MATERIAL
COMBINATIONS
铝质方柱、合金材质组合

83系列 Series

铝质方柱、合金材质组合 Aluminum column, alloy material combinations

将把你带入清新与宁静的意境.....

Will lead you into the fresh and quiet mood



83-2锁面
Indicator lock surface

83-4平门合页
Hinge

83-12门柱
Door frame

83-18门柱
Door frame

83-2锁背
Indicator lock back

83-6衣钩
Clothes hook

83-20拉杆
Aluminum bar

83-21脚套
Foot cover



OD-BB 系列
Series
STAINLESS STEEL & ALLOY
MATERIAL COMBINATION
合金、不锈钢材质组合

OD-BB系列 Series

合金、不锈钢材质组合 Stainless steel & alloy material combination

张扬生活理性，让生活达到完美极限

Display living rationality make life to the perfect limit



OD-BB-2锁面
Indicator lock surface

OD-BB-4平门合页
Hinge

OD-BB-6挂衣钩
Clothes hook

OD-BB-3支脚
Adjustable leg

OD-BB-2锁背
Indicator lock back

OD-BB-5门拉手
Knob

OD-BB-1角码
Corner fastener



OA 系列
Series
NYLON 尼龙材质

OA系列 Series

尼龙材质 Nylon

精致生活, 时尚品味: 完美品质, 专业打造
Exquisite life, fashion taste; perfect quality, professional building



OA-2锁面
Indicator lock surface

OA-2锁背
Indicator lock back

OA-4平门合页
Hinge

OA-6挂衣钩
Clothes hook

OA-1角码
Corner fastener

OA-5门拉手
Knob

OA-3支脚
Adjustable leg



复合板专用锁

Special lock for composite plate



100-2 锁面
Indicator lock surface

100-2 锁背
Indicator lock back

110-2 锁面
Indicator lock surface

110-2 锁背
Indicator lock back

120-2 锁面
Indicator lock surface

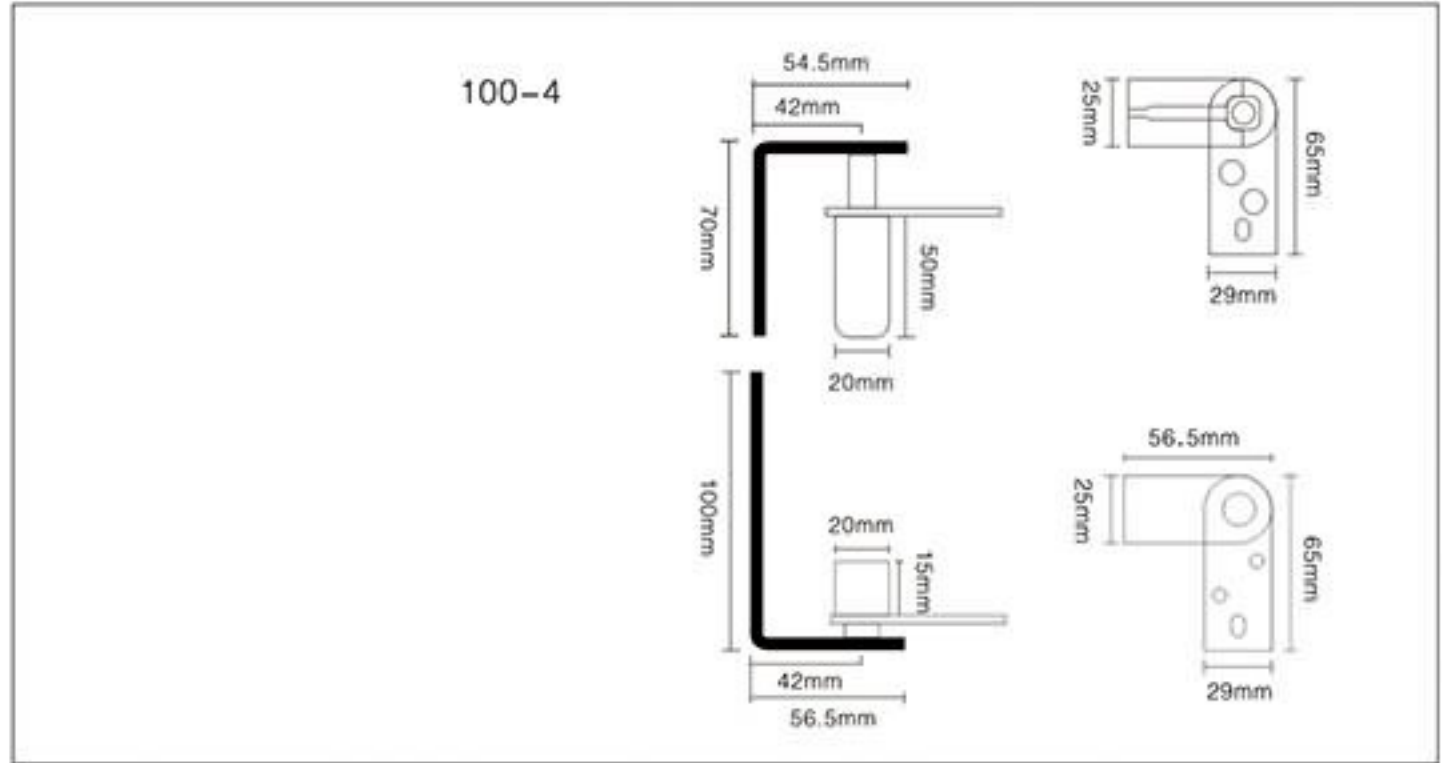
120-2 锁背
Indicator lock back



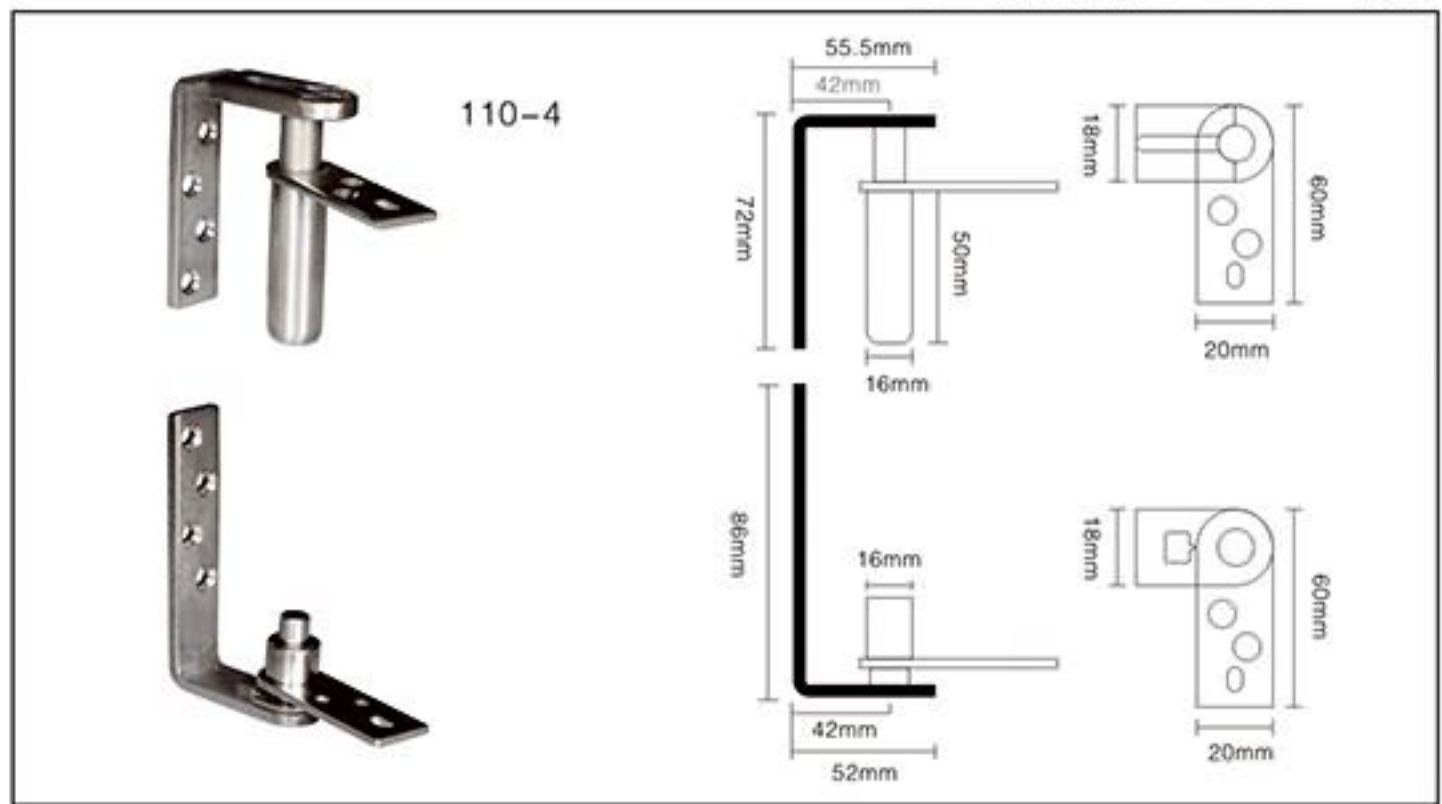
复合板专用合页 (上、下合页)

Special hinge for composite board (upper, lower hinge)

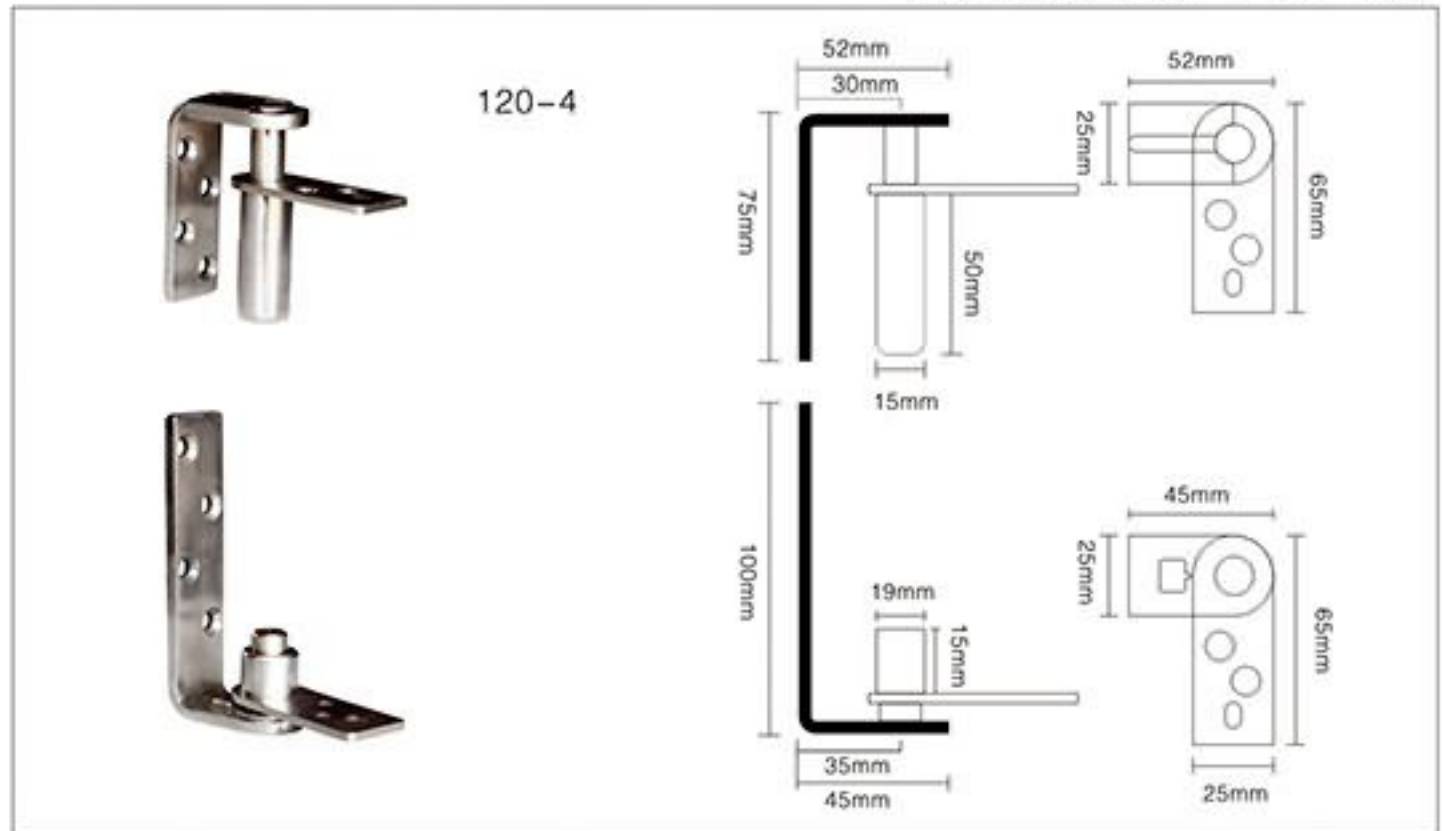
100-4页、适合30mm-45mm板材



110-4页、适合25mm-45mm板材



120-4页、适合30mm-45mm板材





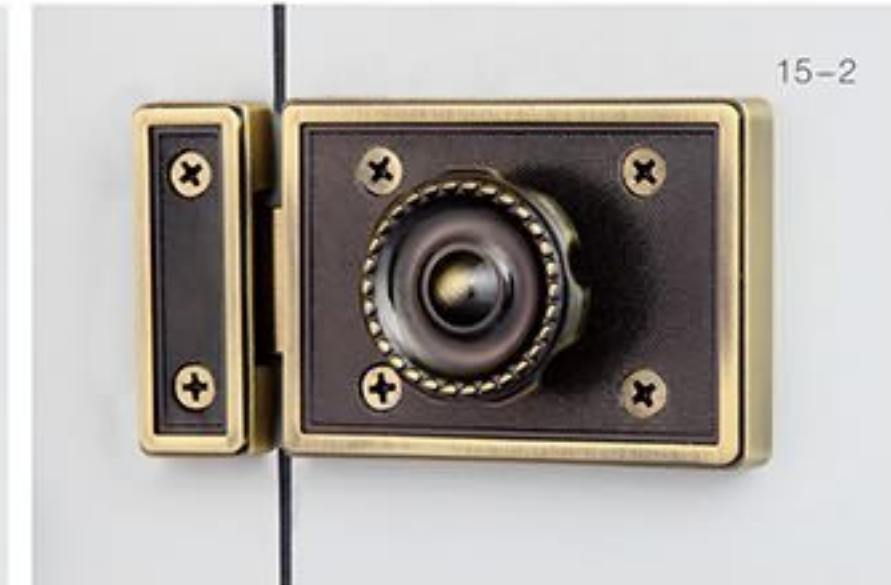
另可选配件

Optional accessories



15-2 锁面 (金色)
Clothes hook

15-2 锁背 (金色)
Corner fastener



15-2 锁面 (古铜色)
Clothes hook

15-2 锁背 (古铜色)
Corner fastener



42-2 锁面
Clothes hook

42-2 锁背
Corner fastener



41-2 锁面
Clothes hook

41-2 锁背
Corner fastener



另可选配件

optional accessories

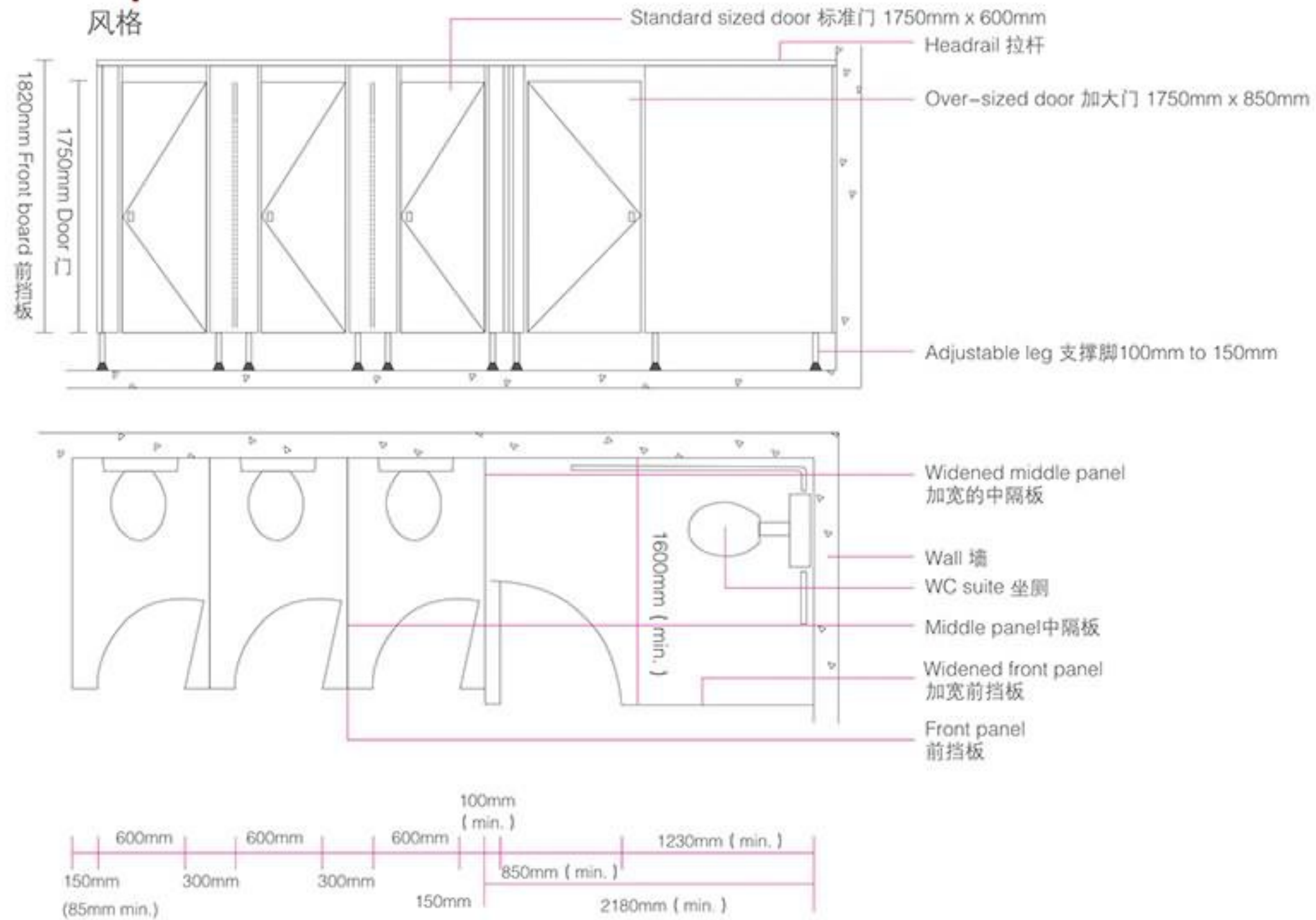
精致生活, 时尚品味: 完美品质, 专业打造

Exquisite life, fashion taste; perfect quality, professional building



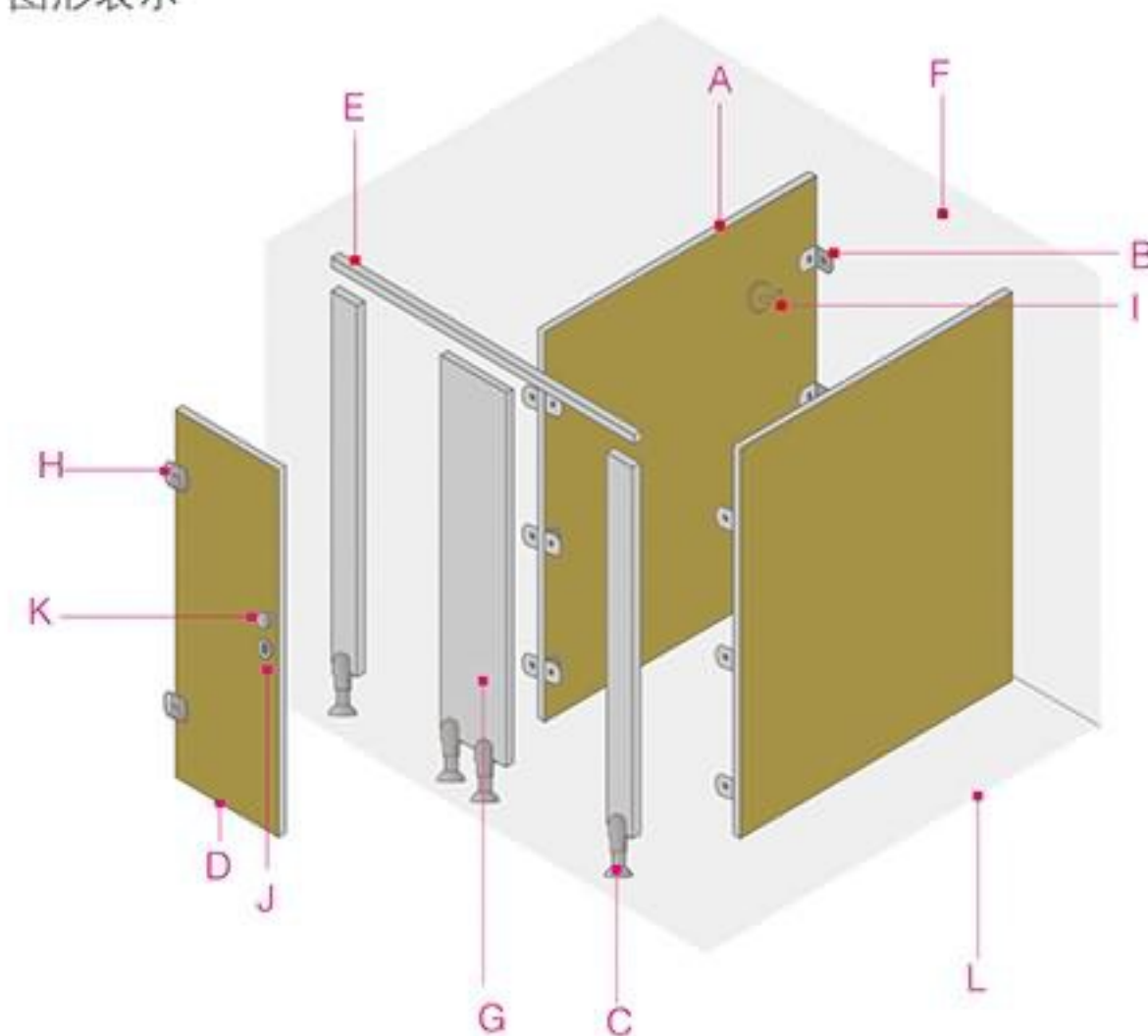
| | | | |
|--|---------------------------------|---|----------------------------------|
| 26-2锁面 Indicator lock surface | 26-2平门锁背 Indicator lock back | 17-2锁面 Indicator lock surface | 17-2锁背 Indicator lock back |
| OD-2B锁面 Indicator lock surface | OD-2B锁背 Indicator lock back | 16-2锁面(带拉手) Indicator lock surface(With a shake handshandle) | 16-2锁面 Indicator lock surface |
| OD-31小保龄球支脚 Bowling shaped adjustable leg | 40-6挂衣钩 Clothes hook | OD-11加强型角码 strengthened corner fastener | 16-2锁背 Indicator lock back |
| OD-7B吊夹 Clamp | OD-7P吊夹 Clamp | OD-9弯头 Elbow | OD-13三通接头 T connector |

Specification +



Graphical representation +

图形表示



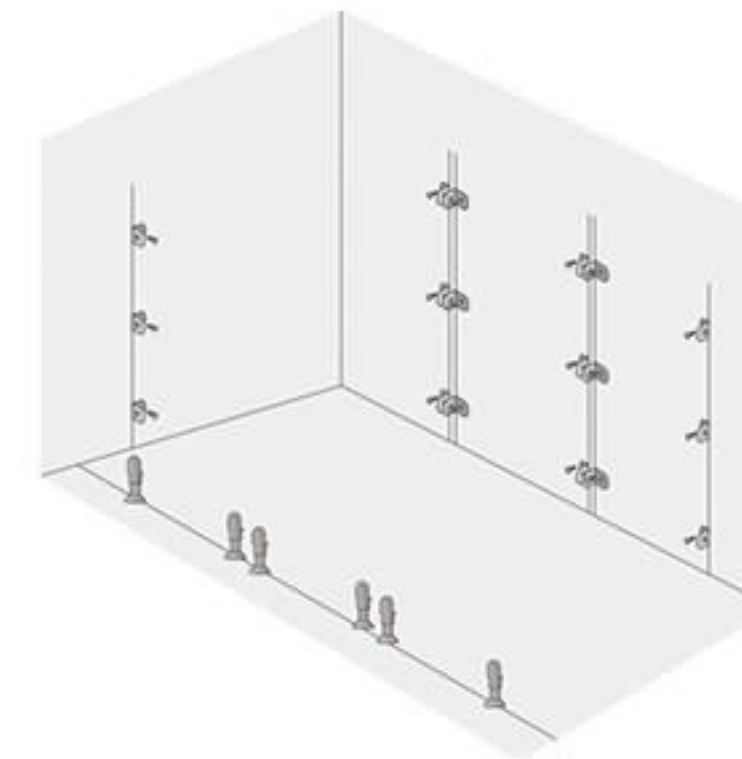
Components in detail
卫浴隔断组成图解

- A Divisional panel 中隔板(P板)
- B Corner fastener 固定角码3个
- C Adjustable leg 支撑脚
- D Door 门(D板)
- E Aluminum bar 压杆
- F Wall 墙
- G Front board 前挡板(T板)
- H Hinge 合页
- I Coat hook 衣钩
- J Lock 指示锁
- K Knob 拉手
- L Floor 地面

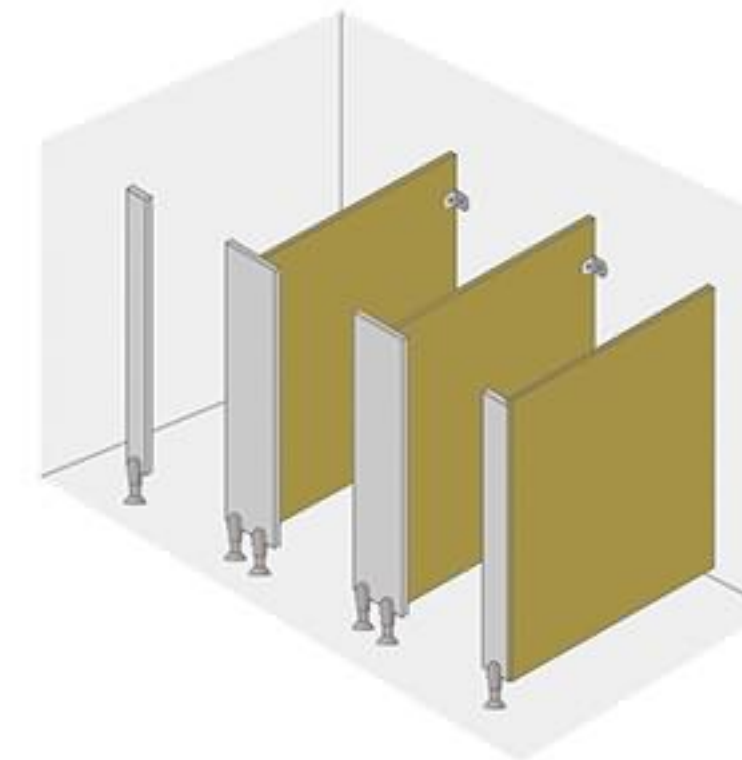
Installation steps+

安装步骤

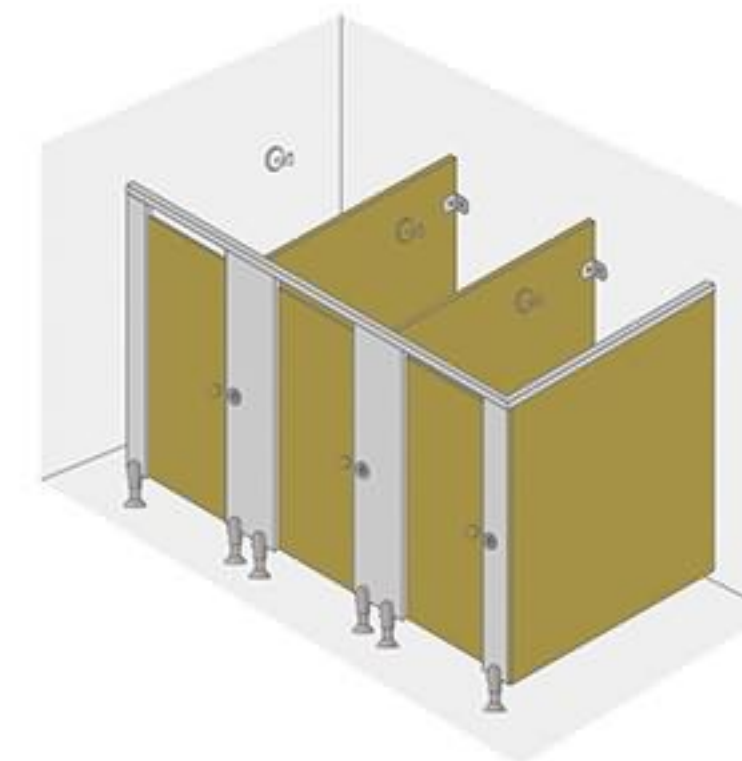
A



B



C



- 1、固定支撑脚：
校好预留门扇与门缝的水平尺寸定位，再固定支撑脚座上钻孔，上胶塞上螺丝，将支撑脚全部固定在相应位置。
- 2、墙体固定角码：
在墙体上制出角码的中心线（一般在两侧位中心位置）定好三点后用手电钻钻孔，预埋胶塞再将角码固定在墙上。
- 3、固定T板（前挡板）和P板（中隔板）：
根据支撑脚与角码的对应位置，在T板上划出相应与P板的连接位置装上角码，再将T板和P板连接成“L”字型。
- 4、初步成型卫生间：
将T板和P板连接成的“L”字型骨架在原先装好的支撑脚和角码的相应位置上螺丝，卫生间初具模型。
- 5、上横拉杆：
在T板上扣上拉杆，调好每个门缝预留尺寸，用螺丝逐个固定。
- 6、上门扇：
先将合页的顶座（不带盖）上在门扇上，靠上门扇，留好双边门缝再将合页支座（合页下部分）靠在相应位置上好螺丝，调整好合页芯归位角度使门扇开闭自如。
- 7、指示锁、拉手：
依不同锁种的孔距在门扇或T板上定位划线、钻孔，调好有、无人指示上好螺丝。
- 8、装上衣帽钩，盖上所示螺丝盖、合页盖，再做一次全面检查；卫生间安装完毕。

- 1、Fix adjustable leg
Adjust the horizontal size between the door leaf and door crack, then bore holes in the panel, fix the adjustable leg in the appropriate location with screws.
- 2、Fix corner fastener
Draw a center line on the wall, (generally in the center of two toilet seats) after that use a drill to bore holes, embed rubber plug into the holes, and then fix the corner fasteners on the wall.
- 3、Fix front board and middle board
According to the corresponding position of support leg and corner fastener, install the corner fasteners on the connect position of front board and middle board, and then connect the front board and middle board as T shape
- 4、Initially formed toilet partition
Fix the T shape frame on the corresponding position of support leg and corner fastener with screws, toilet partition initially formed.
- 5、Fix the bar
Fix the bar on the front board, adjust each door crack size, and fix with screws one by one.
- 6、Install door
First, fix the hinge (no cover) on the door, keep a suitable door crack, then fix the hinge (lower part of the hinge) with crews, adjust the hinge to let the door open and close freely.
- 7、Indicator lock, knob
Line and drill on the door or T panel according to the hole distance of different locks, adjust the screw of the indicator.
- 8、Fix coat hook, cover the screw cover, hinge cover, check thoroughly again. Toilet partition installation finished.

每一次的壮举，源自每一次的超越

Every feat, from every transcendence

因为专业，才能超越，追求卓越，为品牌注入新的灵魂。

Keep an open mind, strive for excellence. Let our brand pour into the new soul.

INTERIOR
WALL
SYSTEM +
内墙系统



Interior wall system profile+ 内墙系统简介

现代公共建筑追求人性时尚，经久耐用又便于维修，而作为现代室内装饰科技的成果，内墙系统成为了最好的选择，并在过去的一二十年内欧美得到了广泛的应用。近几年来，内墙系统也开始为国内的一些大型公共建筑所采用，并得到了愈来愈多的设计师和甲方的认可。内墙系统为采用奥高内墙专用的特殊的康贝特板(内墙板)和弯曲康贝特板(转角和门框、窗框的弯角处理)，以五金挂件等方式搭建的内墙墙面。它可以是固定在砖墙及其它材料的墙面，也可以直接固定在金属框架的两面而成为室内空间的隔墙。

Modern public building pursues for human fashion, which is also for structural durability and easy for maintenance. As for the achievement on modern inner decorations' technology, interior wall system has become the best choice, which has been widely used in European and American areas over the past twenty years, this is also adopted by some domestic large-scaled public buildings, and acknowledged by more and more designers. Interior wall system adopts the specialized AOGAO compact board (inner wall board), twisted compact board (handling of corner and the corner of door frame and window frame), with the way of composing by many ornaments, which can be fixed on brick wall, or the wall built by other materials, and also can be settled on the two sides of metal frame directly that becomes the dividing wall for the interior space.

Applications+ 应用场合

各类公共场所除需要能为人们提供优雅舒适的环境外，还需要能经受他们的各种破坏与折磨。由于内墙系统无与伦比的优异特性，已被广泛应用在医院、机场、车站、体育馆、博物馆、办公楼、商场……内墙系统的耐撞击，易清洁，耐腐蚀等特性特别适合医院的使用环境，完全可以经受病人、推床等的撞击；消毒药水的腐蚀；各种污物的污染等而持久如新。特别是转角的处理，除了更具美观效果外，其阳角造型优异的耐撞击性能完全让墙角的护角变得多余；而阴角造型又避免了卫生死角。

Except for providing elegant and comfortable environment for people, various public places also need to be able to withstand all kinds of destruction and torture. Interior wall has been widely used in hospitals, airports, railway stations, stadiums, museums, office buildings, shopping malls... Because of its outstanding unmatched features. Being impact-resistance, easy to clean, corrosion-resistance, interior wall system is particularly suitable for hospital, can totally withstand the impact of patients, bed, corrosion of the disinfectant, all kinds of pollutions, but still as new. Especially the corner, apart from more aesthetic, its excellent shaped impact-resistant external corner makes the perfect corner redundant, meanwhile, the special shaped internal corner avoiding the forgotten health corners.



■ 第十人民医院



■ 浙江省人民医院



■ 北京大学第一医院



■ 解放军305医院



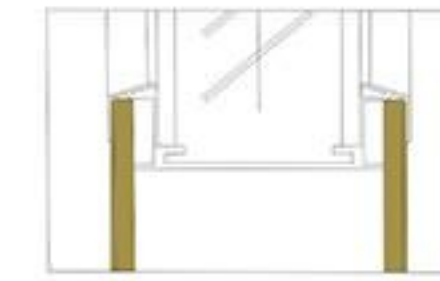
Wall System Section Details + 墙身系统 分部细节

康贝特墙身系统独特提供门套与窗套的处理方法,可以与墙身颜色浑然一体,其色彩定位既可以与墙身协调一致,又可采用大反差的对比色系。

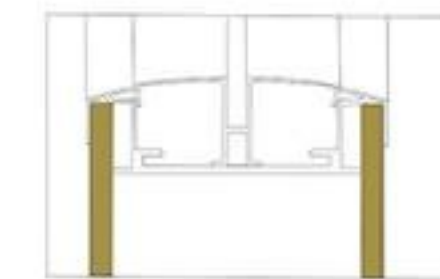
Compact board wall system provides unique handling methods of door-frame and window-frame, can be seamless with wall color. Its color can be harmonized with walls, but also can be contrast with it.

康贝特墙身系统独特提供丰富的转角解决方案,利用不同材料的特性,表现方式突显用户的个性。

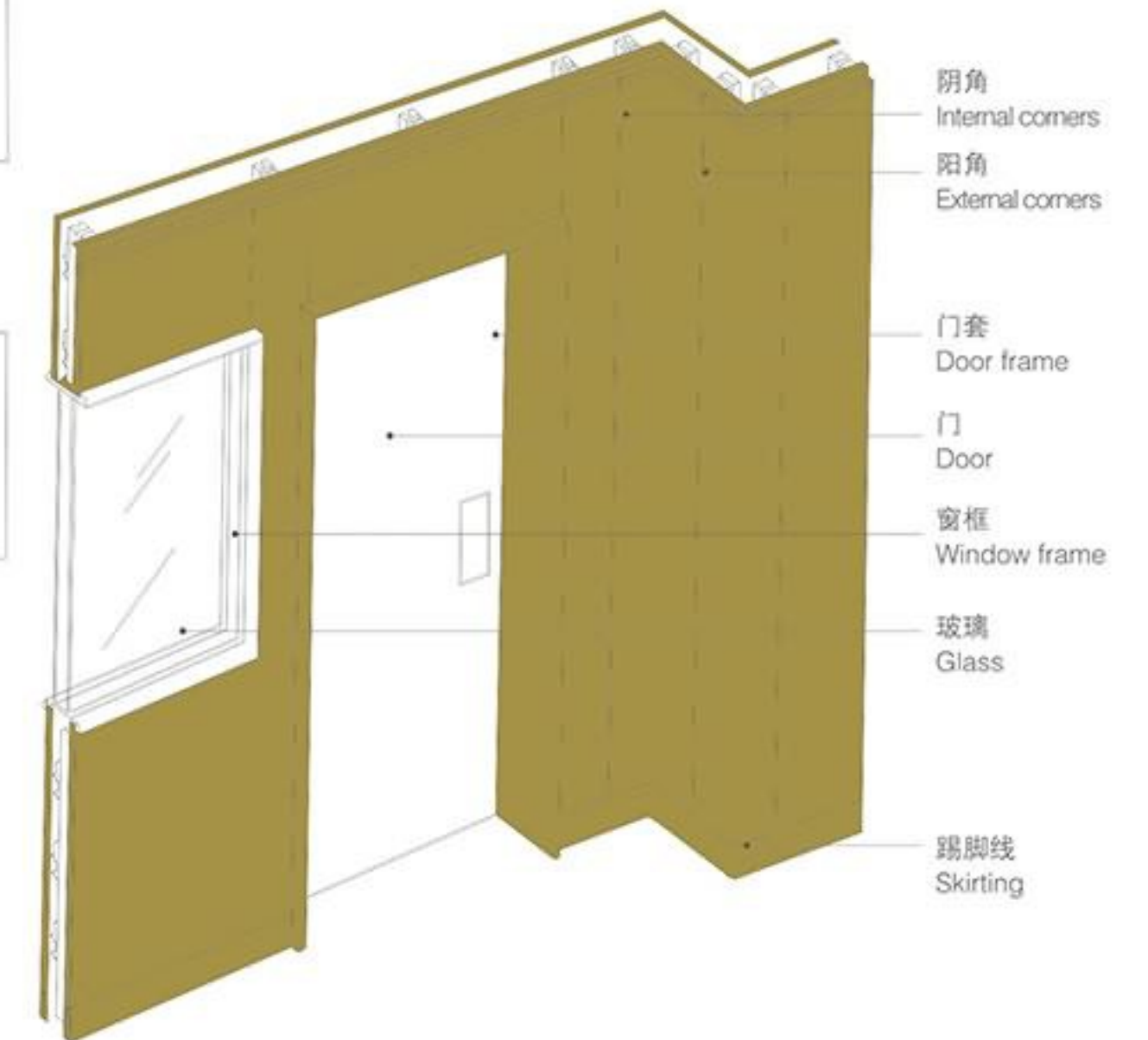
Compact board wall systems provide various resolutions of turning angle. Highlights users' individuality by using different materials.



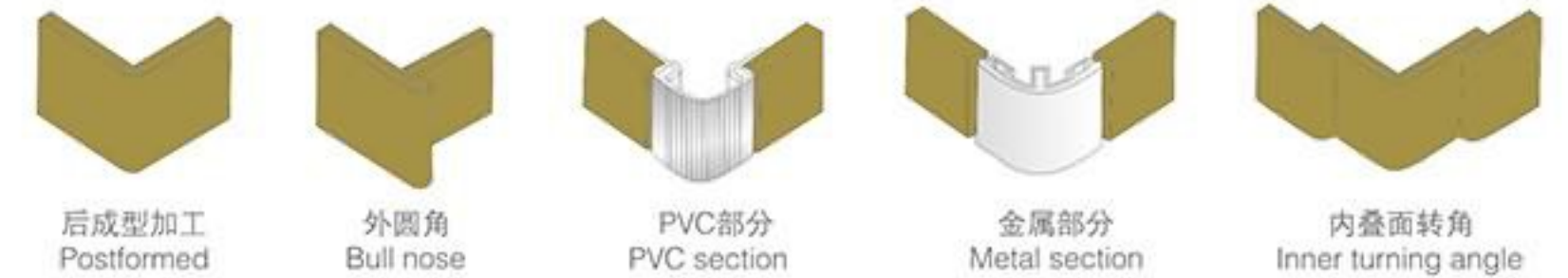
中空玻璃窗框收边剖面图
Edge binding section drawn of window frames



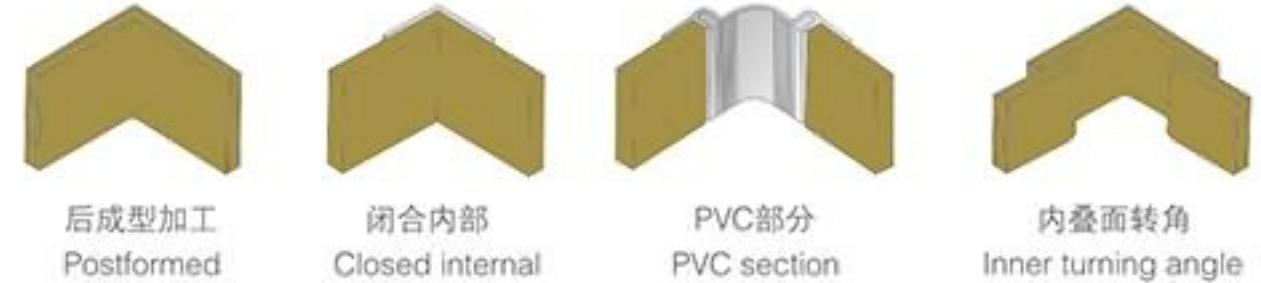
单层玻璃窗框收边剖面图
Edge binding section drawn of window frames



阳角 External Corner



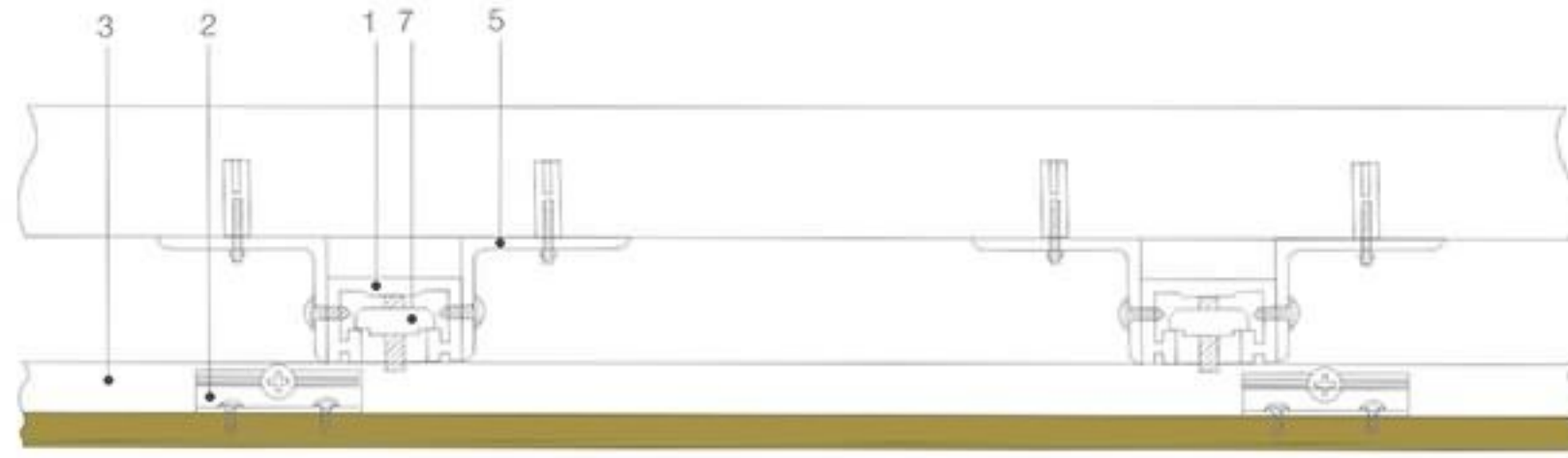
阴角 Internal Corner



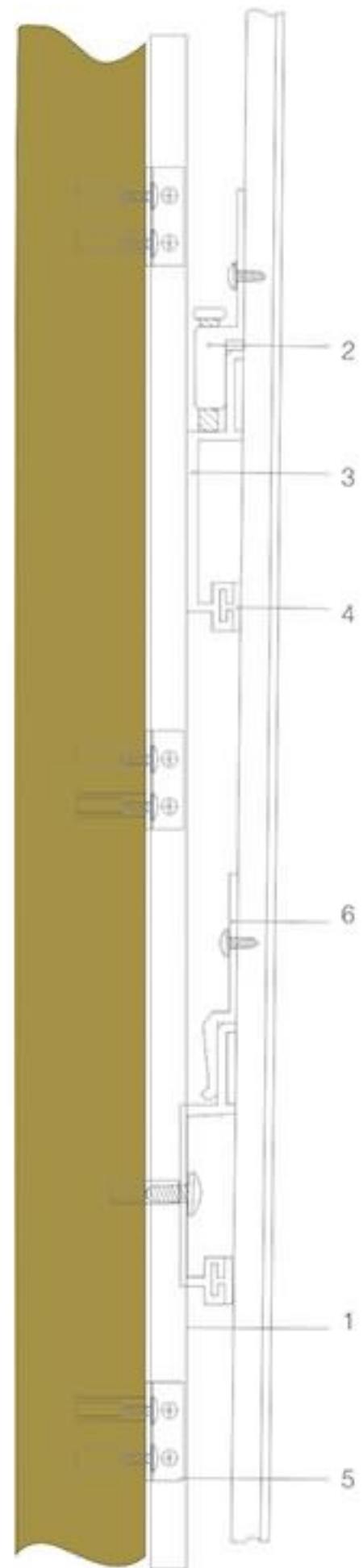
Interior wall Series + 内墙系统

- | | |
|-------------------------------|--|
| 1 可调节扣片 Adjustable jump piece | 2 标准扣片 Jump piece |
| 3 U型横龙骨 U-shape rail | 4 C型竖龙骨 Vertical-shaped rail |
| 5 紧密胶条 Sealing tape | 6 竖龙骨角码 Vertical-shaped rail Corner fastener |

奥高挂墙系统 AOGAO Wall Cladding System



奥高挂墙系统横剖面图 Section view of horizontal division

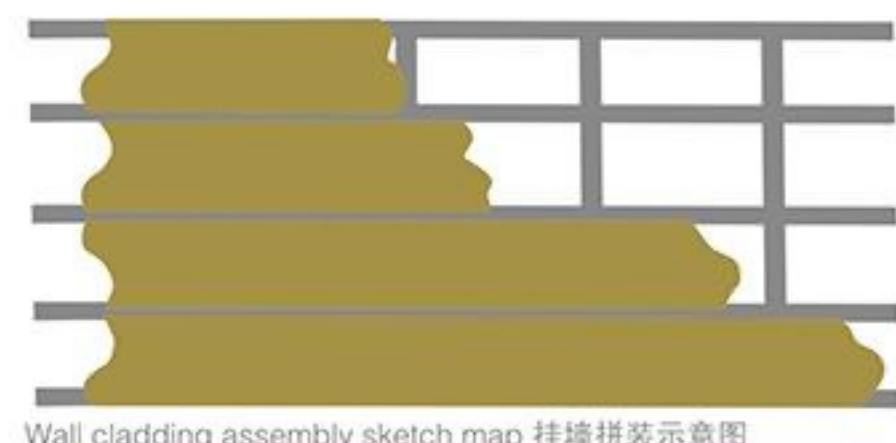


分部细节 Section Details

- 1 C型竖龙骨 C-shape rail
- 2 可调节扣片 Adjustable jump piece
- 3 U型横龙骨 U-shape rail
- 4 紧密胶条 Sealing tape
- 5 L型固定片 L shaped fastener
- 6 标准扣片 Jump piece
- 7 龙骨连接片 Rail junction

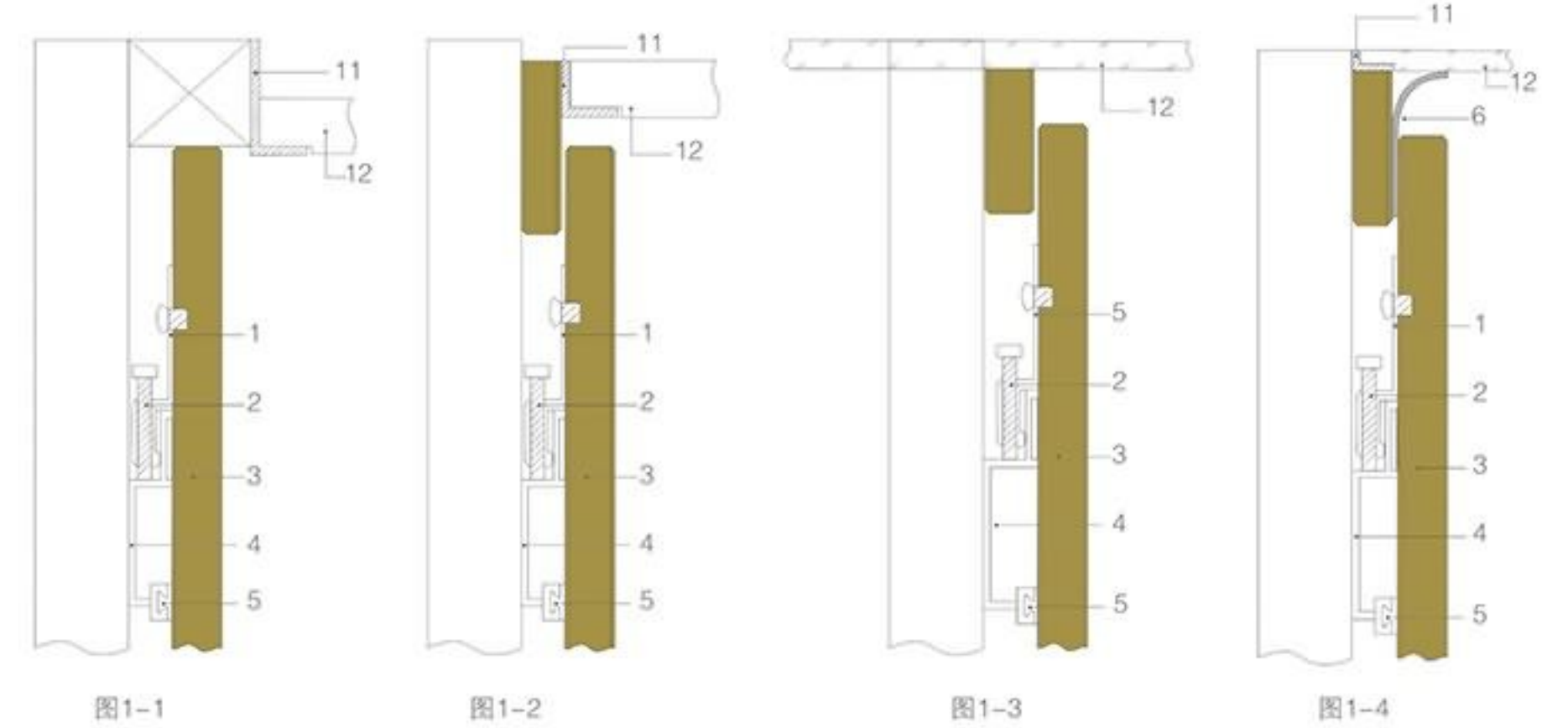


Wall cladding assembly sketch map 挂墙拼装示意图

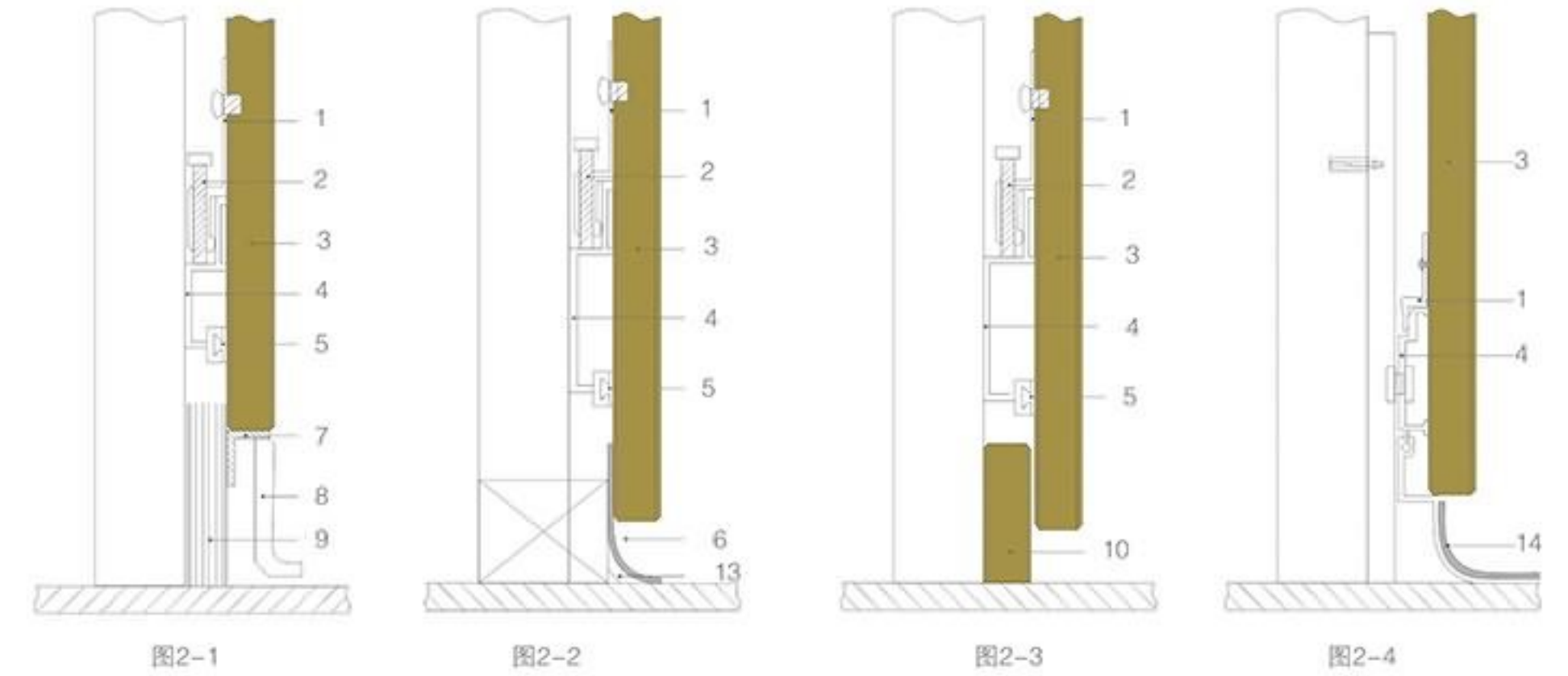


Wall cladding assembly sketch map 挂墙拼装示意图

墙身及天花收边解决方案 Edge finishing solutions of wall and ceiling



墙身及地脚收边解决方案 Edge finishing solutions of wall and floor



分部细节 Section Details

- 1 扣片 Jump piece
- 2 调节螺丝 Adjustable screw
- 3 8mm康贝特板 8mm Compact Laminate
- 4 U型横龙骨 U-shape rail
- 5 紧密胶条 Sealing tape
- 6 PVC密封拱 PVC sealing cover
- 7 铝制弯角 Aluminum angle
- 8 瓷砖/地砖 (其它制造商) Tile
- 9 木砖 Wood brick
- 10 康贝特板踢脚线 Compact skirting
- 11 天花弯角 (其它制造商) Ceiling angle (by others)
- 12 天花 Ceiling
- 13 圆线模 Rubber
- 14 PVC脚线座 PVC leg

我们的愿景-持之以恒

Our vision -- perseverance .

技术和产品的日趋完善，需要不断的积累和持续创新。

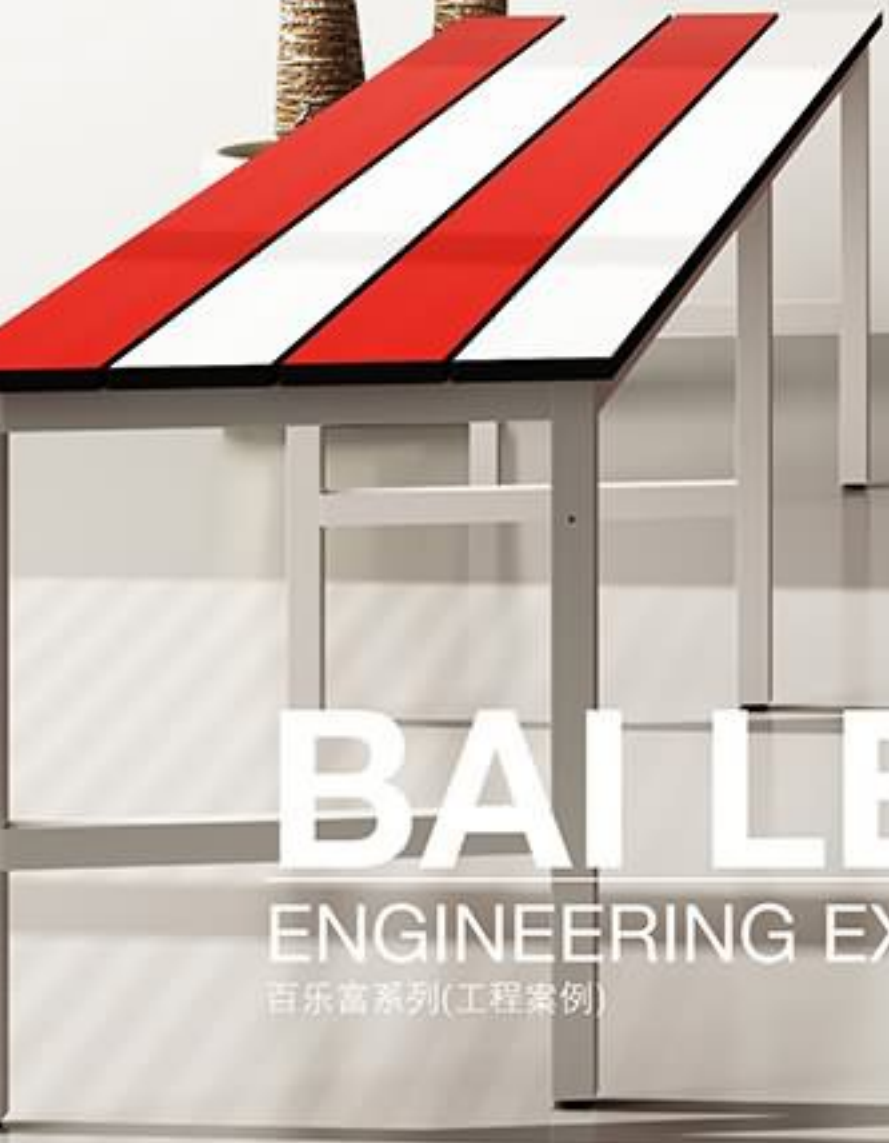
专注、执著，才能恒久，才能飞跃提高。

Improve the technology and the product need the constant accumulation and sustained innovation .

Because of concentration and perseverance , we can improve ourselves more quickly .



LOCKERS
SYSTEM+
储物柜系统



BAILEFU 系列

Series

ENGINEERING EXAMPLES

百乐富系列(工程案例)



HALISHI 系列 Series

ENGINEERING EXAMPLES

海力斯系列(工程案例)

Lockers system+

储物柜系统

21世纪的生活，人们不再只是游走于工作、家庭之间，休闲场所将是另一重要的生活场景。传统的储物铁柜容易生锈、受撞击易凹陷，且颜色单调；而木制的储物柜则易受潮、易被腐蚀、易滋生霉菌及产生异味。

奥高储物柜系统具备了防潮、耐热、耐撞击、耐火、耐烟灼、不滋生霉菌、无异味、易清理、使用寿命长等卓越特性，是优质储物柜的最佳选择。选择奥高储物柜，保管您的私人物品，让缤纷生活更加安心。

Life in the 21st century, people are no longer just walking randomly between work and family. Recreation areas has become another important life-arena. Traditional iron lock is easily rusted, easily damaged by impact, monotonous in color as well. While, wooden lock getting wet and corrosion, breeding mold easily, also caused smell.

AOGAO locker has these characteristics, water proof, heat & impact resistance, fire proof, no mildew, no odor, easy to clean, long service life. It is the best choice of quality locker. Select AOGAO, let it be your safe keeper, make your life more at ease.

- 耐撞击 Impact-resistance
- 防潮及防水 Moisture and water resistance
- 防生锈及防腐蚀 Rust and corrosion proof
- 设计富灵活性 Flexible design
- 组合式设计 Modular design
- 色彩丰富 Rich color
- 恒久耐用 Durable
- 养护成本低 Low cost of maintenance
- 完整配件 Complete accessories

● 立柱 Profile

铝柱上的满槽贯穿整体，使内部空气流通，防止异味产生及霉菌滋生。

Ventilation holes in the aluminum pillars throughout the locker, allow the air to circulate, thus prevent the causing of odor and mold.

● 防撞胶条 Plastic strips

防撞胶条可嵌入在铝柱上的鸠尾槽，吸收关门时震动发出的声音。

Plastic strips absorb vibrations to reduce noise when closing the door.

● 弹簧铰链 Spring hinge

铰链与铝柱可相互滑动扣住，可以固定螺丝迫紧结合固定，结构坚实可靠，弹簧铰链，具回弹功能。

Hinge and aluminum column hold each other, make screws fixed. Its structure is solid and reliable. The spring hinge has rebound function.



HALISHI 系列 Series

ENGINEERING EXAMPLES

奥高康贝特系列(工程案例)

奥高康贝特储物柜，具有坚固耐用、抗撞击、不易燃、耐磨等功能。多变的色彩让氛围变得灵动而富有生气，让您的生活更精彩。
AOGAO compact board lockers, have functions of durable, impact resistant, non-flammable, abrasion, etc. Changing color make the atmosphere agile and lively, and make your life more wonderful.



百乐富系列



百乐富系列



百乐富系列

■ 广州天河方圆大厦

Halishi series + 海力斯系列(联体式)

海力斯系列储物柜系统施工说明
 本储物柜系列采用组合式组装，其骨架采用铝合金材质，并经由机械抽制而成，其余板面均采用热固性强化树脂板（phenolic core）。
 本系列侧板采用8mm，背板、中板采用4mm，而其上顶板、中间层板及下底板采用12mm/13mm厚热固性强化树脂板。
 本组合式储物柜可依现场实际尺寸配合施工，且可拆装、移位自如。
 适用现场组装，性价比较好。

Halishi series locker system construction instructions
 This locker system adopts combined assembly; frames are aluminum alloy, which made of mechanical pumping, the rest of panels use thermosetting reinforced phenolic board.
 The side panel of this series is 8mm thermosetting reinforced phenolic board, back panel and division panel use 4mm board its top panel, middle divider and bottom panel use 12mm/13mm thermosetting reinforced phenolic board.
 This combined locker can be constructed according to the actual size, and able to assemble, move freely. The Maximum flexibility is make each cabinet tier first, and then spliced into a row.



■ 河南大溪地水上乐园

HALISHI 系列 Series ENGINEERING EXAMPLES

海力斯系列(工程案例)



C121铝边柱 aluminum side pillar



C122铝中柱 aluminum column



B134弹力合页 elastic hinge



B135无弹力合页 hinge



D141边支脚 support leg



D142中支脚 support leg

Tupper rich series+

百乐富系列(分体并装式)

百乐富系列储物柜系统施工说明

本储物柜系列采用组合式组装,其骨架采用铝合金材质,并经由机械抽制而成,其余板面均采用热固性强化树脂板(phenolic core)。

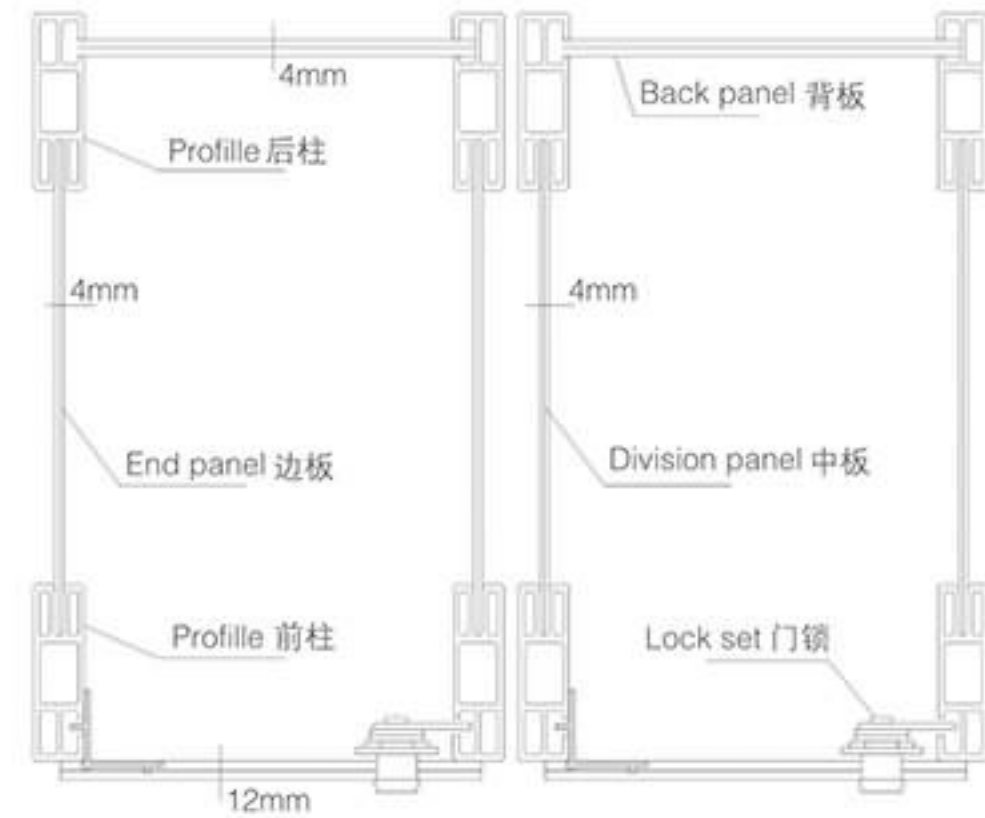
本系列侧板采用4mm,背板采用4mm,而其上顶板、中间层板及下底板采用12mm/13mm厚热板固性强化树脂板。

本组合式储物柜可依现场实际尺寸配合施工,且可拆装、移位自如,最大灵活性是可以先做好每栋柜体再并接成排。

BAI LE FU series of lockers system construction instructions

This locker system adopts combined assembly; frames are aluminum alloy, which made of mechanical pumping, the rest of panels will use thermosetting reinforced phenolic board. The side panel and back panel of this series is 4mm thermosetting reinforced phenolic board, its top panel, middle divider and bottom panel use 12mm/13mm thermosetting reinforced phenolic board.

This combined locker can be constructed according to the actual size, and able to assemble, move freely. The biggest flexibility is make each cabinet tier first, and then spliced into a row.



A106 钩锁 lock



C123 铝柱 aluminum column



A102 挂锁 padlock



B133 弹力合页 elastic hinge



A103 感应锁 Sensor lock



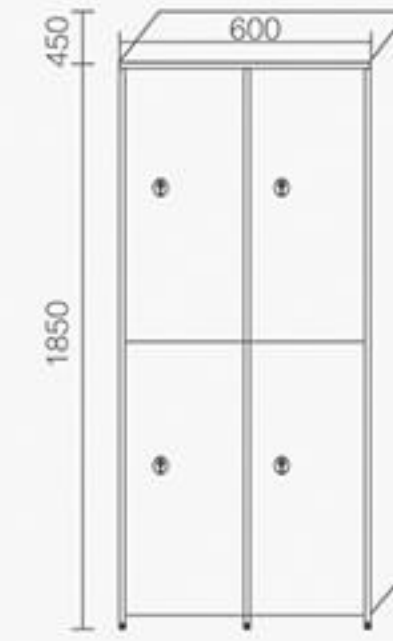
A104 感应锁 Sensor lock



A105 密码感应锁 Induction lock

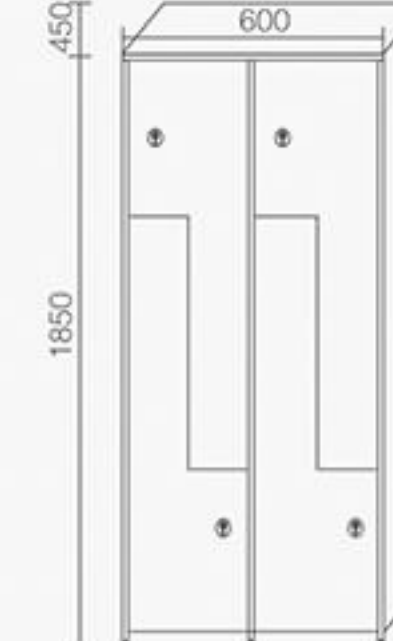


A101 钩锁 lock



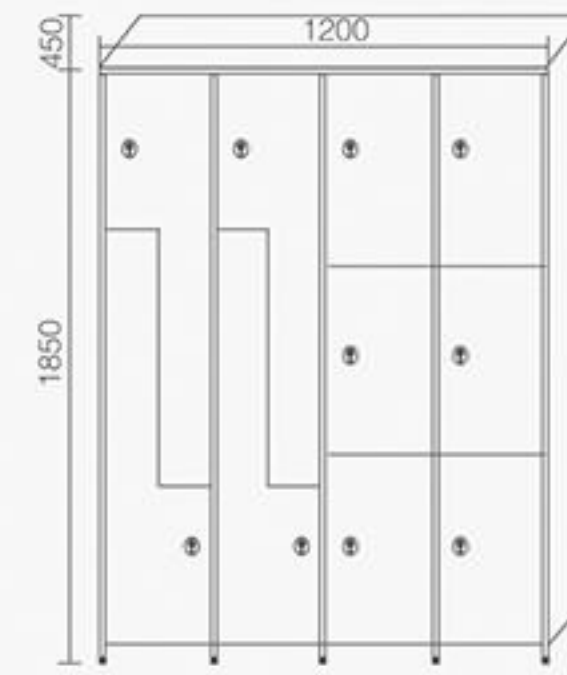
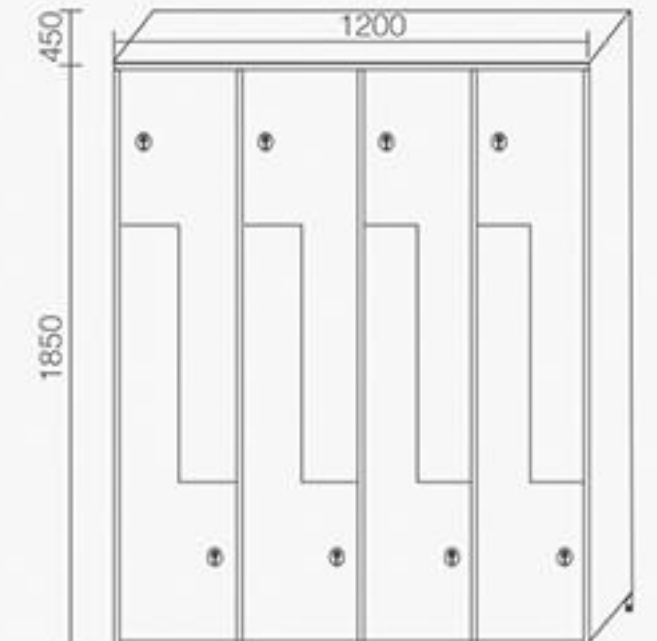
双门组合 2 Tiers per column

柜内空间宽阔,适合俱乐部、体育场等需容纳较大物品之场合使用。
2 Tiers per column are spacious, suitable for club, stadium and other occasions that requiring larger storage spaces.



Z型双门组合 Z-shape

提供可挂衣的空间,适合俱乐部、体育场等需悬挂衣服之场合使用。
Offer the space for clothes hanging, which are ideal for athletic clubs, gyms, and other locations that need to hang clothes.



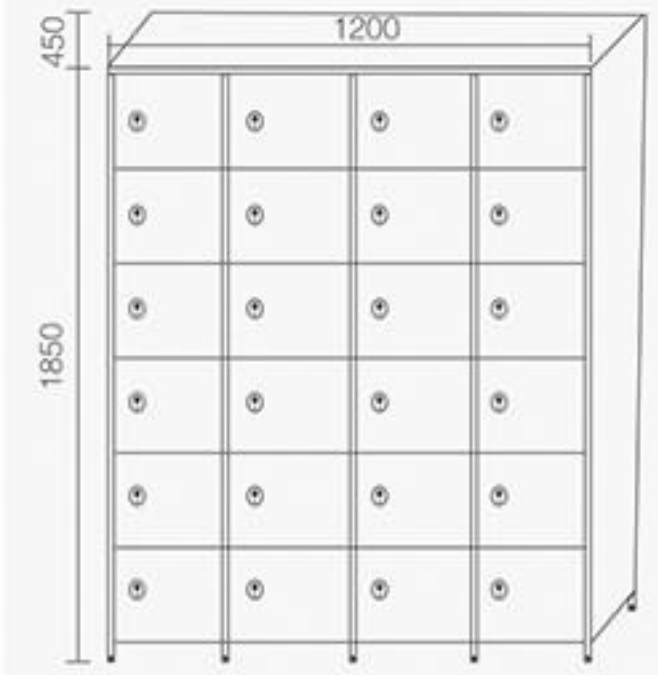
Z型双门与三门组合 Z-shape and 3 Tiers per column

提供可挂衣的空间,适合俱乐部、体育场等需悬挂衣服之场合使用。
Offer the space for clothes hanging, which are ideal for athletic clubs, gyms, and other locations that need to hang clothes.



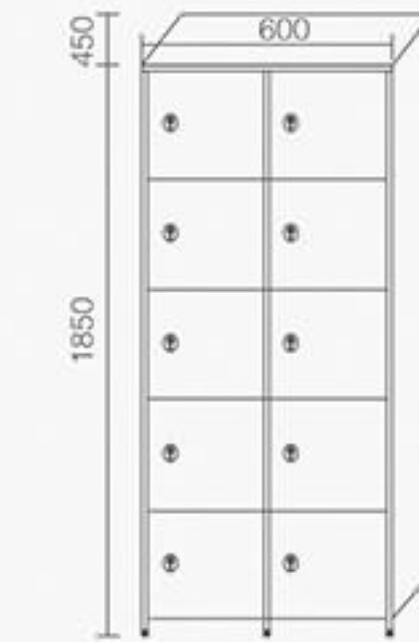
四门组合 4 Tiers per column

适合放置固定尺寸的物品,如书包、皮包等中型物品,以学校、购物中心、车站等场所适用。
4 Tiers per column are suitable for schools, shopping malls, train stations, etc. Where need to place the fixed standard size items such as school bags, purses, etc.



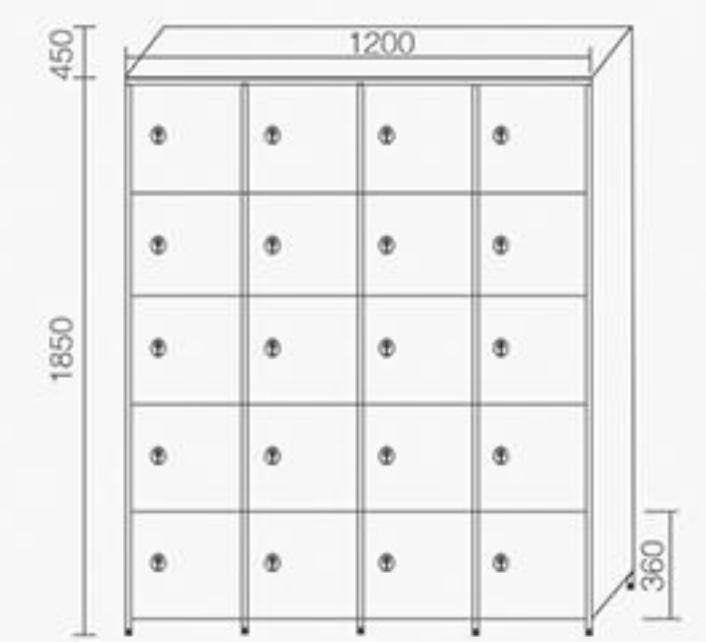
六门组合 6 Tiers per column

以存放小型物品之特定场所使用,例如溜冰场、保龄球之寄鞋柜。
6 Tiers per column are ideal for locations requiring small storage space, such as skating rinks, bowling alleys, etc.



五门组合 5 Tiers per column

以存放小型物品之特定场所使用,例如溜冰场、保龄球之寄鞋柜。
5 Tiers per column are ideal for locations requiring small storage space, such as skating rinks, bowling alleys, etc.



登高望远，眺望远方

Ascend a height to enjoy a distant view , looking ahead forever

站得高，登高望远，我们才能高瞻远瞩。

The higher we stand , the further we can see .



COMPACT
BOARD
EXTENDED
APPLICATION
SYSTEM +
康贝特板扩展
应用系统



Out-door panel + 户外专用板



奥高户外产品中经过特殊工艺制作的高压装饰板，具有极佳的耐候性及优异的抗紫外线性能，常规厚度10mm，比传统耐火板(0.7-1.0毫米)更厚、更坚固耐用，不但是装饰材，更是结构材。

奥高户外用康贝特，可广泛应用于各类建筑外墙、户外家具以及商场标示、户外体育设施、结构材料上等，具有坚固，耐撞击，耐潮湿，耐火，防水，耐候，耐紫外线等功能。

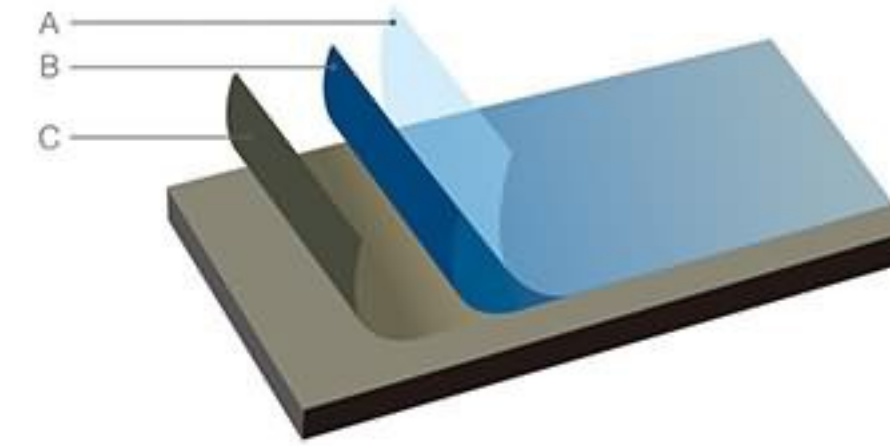
AOGAO high pressure decorative laminate that used for making outdoor furniture, has excellent performance of weather ability and UV resistance. Its normal thickness is 10mm, more thicker and durable than traditional (0.7-1.0mm) laminates. It is not only decorative material, but also construction material.

AOGAO outdoor compact board with characteristics of durability, impact-resistance, moisture-resistance, fire-retardant, water-proof, weather-resistance and UV-resistance, is widely used in exterior walls, outdoor furnitures, shopping mall signs, exterior sports facilities and structural materials...

Physiochemical board + 理化板

构成 structure

- A 耐腐蚀理化膜
Chemical resistant film
 - B 高压色纸+三聚氰胺树脂
high pressure deco paper+melamine resin
 - C 高压牛皮纸(多层)+酚醛树脂
High Pressure Kraft Paper (multiple Layers) + Phenolic Resin
- 上述材料经高压固化而成
Above materials solidified at high temperature and pressure



规格 Size

- 4'x8' (1220x2440mm)
- 4'x10' (1220x3050mm)
- 4'x12' (1220x3660mm)
- 5'x10' (1525x3050mm)
- 5'x12' (1525x3660mm)

厚度 Thickness

- 常规实心理化板厚度:12.7mm
- 可订制厚度:5-25mm
- Normal thickness of solid physiochemical board 12.7mm
- Customized thickness of solid physiochemical board 5-25mm





Compact board furniture + 康贝特板家具应用

Features+ 特性

康贝特板坚固耐用，不但是装饰材，更是结构材，可用标准碳钢合金刀具进行钻孔、敲击、砂磨、导型、切割等工作。奥高康贝特板是一种实心的结构材质，板材可提供单面或双面的装饰需求，符合、甚至超越美国材料试验协会（ASTM）各种机械性能要求，特别是耐撞击及吸水率特性表现优异。

Compact laminate board is sturdy and durable, is not only decorative material, but also structural material. Available for drilling, tapping, sanding, styling, cutting by using carbon steel alloy tools. AOGAO compact laminate board is a solid structural material, which allows decoration on one side and two sides. It meets, even exceeds ASTM standards. Its performance is very high, especially the impact-resistance and water absorbability.

- 耐撞击 Impact-resistance
- 防潮及防水 Moisture and water resistance
- 防生锈及防腐蚀 Rust and corrosion proof
- 高强度结构 High-strength construction
- 卫生 Hygiene
- 耐磨 Wear resistance

康贝特板可应用于

- Laminate can be applied to
- 浴厕隔间 Cubicles System
- 实验室台面 Laboratory table
- 储物柜 Lockers System
- 抗倍特门 Compact Door
- 墙身 Wall System
- 家具 Furniture
- 标识 Signs

会议台 Conference Table
特性：耐污、耐刮、坚固
Stain resistance, scratch-resistance, solid





康贝特板深加工工艺
Compact board intensive processing technology

奥高彩虹芯是表里如一的材料，无论做正面或侧面切割处理，均能保持其完整特性，使色彩的影响力无限扩展。AOGAO Rainbow appears the same, no matter inside or outside. It is always able to maintain its completeness, whether you choose to cut from front or side.

奥高桌椅采用康贝特板板材，具有抗撞击、防水、耐热、耐磨等功能。AOGAO outdoor furniture adopts compact laminate board, which has characters of anti-impact, waterproof, heat resistance, etc.



奥高创意板是奥高将客户的需要和创意转变成高级装饰耐火板的一种崭新服务，兼备奥高高级装饰耐火板的优异质量，可广泛用于创意空间。

AOGAO Creation board is a new service that turns customer's needs and ideas into high-class decorative fire-proof board. Its quality is superior just like AOGAO laminate board. Can be extensively applied to creative spaces.



1、带靠背双面防水椅
Double-sided water-proof back-rest chair

防水椅
waterproof chair



2、单层防水椅
One-sided water-proof chair

沉淀几许，提高几许，心灵的交换，方可荣耀加身。

Continuous persistence , continuous modesty , continuous effort , treat others sincerely , and then can bring us honor .

坚持以平衡互利的姿态去面对每一个合作者，合作才能共赢。

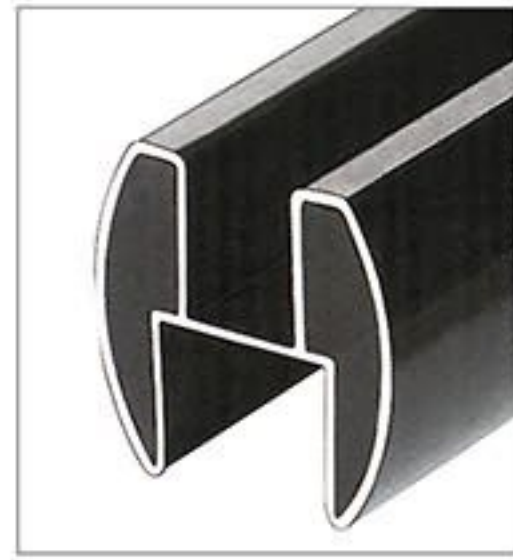
Sincerely equality face our customer and then we can get the win-win business relationship .



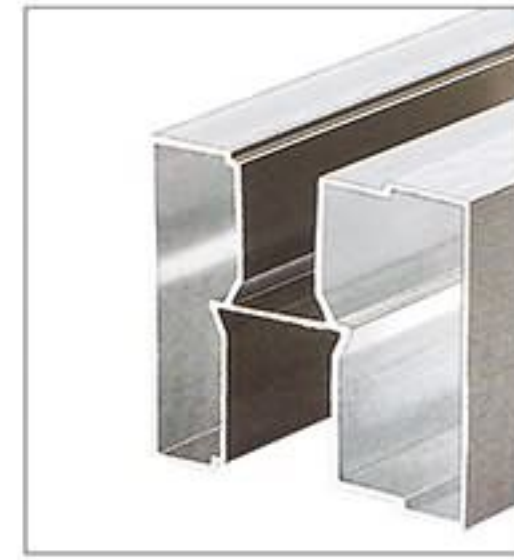
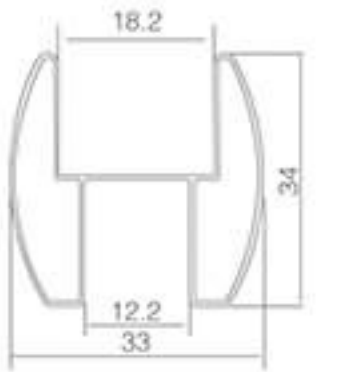
ALUMINUM
SYSTEM +
铝材系统



大方拉杆
规格: 12/18mm
长度: 6m
颜色: 哑光(铝色)、黑色、拉丝、钢色



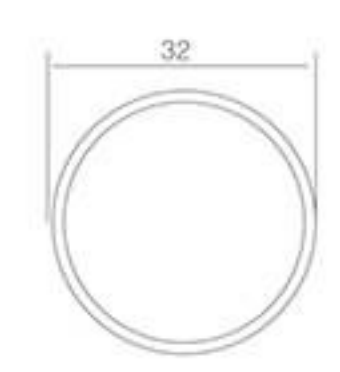
P-16A(加厚) 小桃园拉杆
规格: 12/18mm
长度: 6m
颜色: 哑光(铝色)、黑色、拉丝、钢色



83-20 大方方角拉杆
规格: 12/18mm
长度: 6m
颜色: 哑光(铝色)、黑色、拉丝、钢色



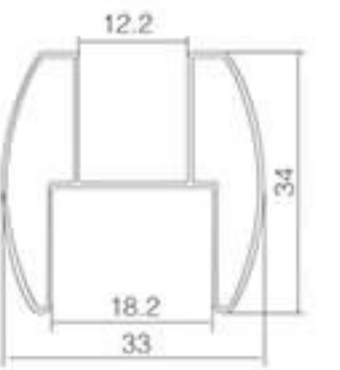
P-10 全圆管 P-01B
规格: 12/18mm
长度: 6m
颜色: 哑光(铝色)、黑色、拉丝、钢色



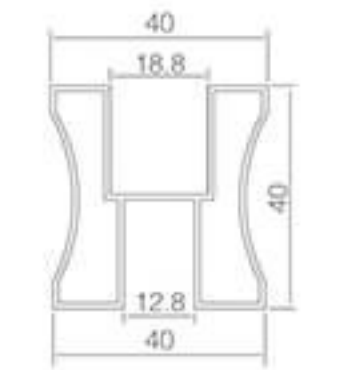
P-01B 大方拉杆
规格: 12/18mm
长度: 6m
颜色: 哑光(铝色)、黑色、拉丝、钢色



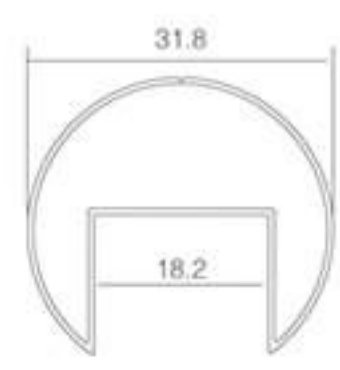
P-16A 小桃园拉杆
规格: 12/18mm
长度: 6m
颜色: 哑光(铝色)、黑色、拉丝、钢色



P-28 内弧拉杆
规格: 12/18mm
长度: 6m
颜色: 哑光(铝色)、黑色、拉丝、钢色



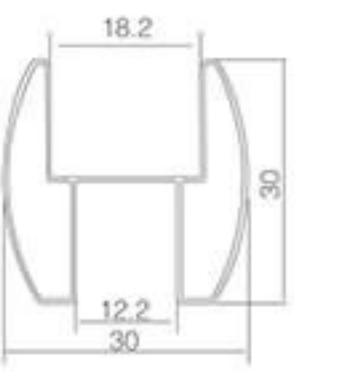
P-18 18mm圆形卡杆
规格: 18mm
长度: 6m
颜色: 哑光(铝色)、黑色、拉丝、钢色



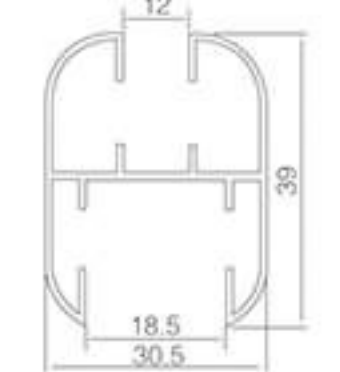
P-01B 大方拉杆
规格: 12/18mm
长度: 6m
颜色: 哑光(铝色)、黑色、拉丝、钢色



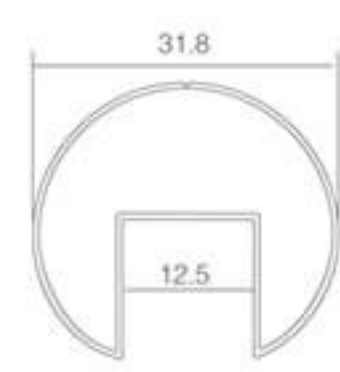
P-16B 小桃园拉杆
规格: 12/18mm
长度: 6m
颜色: 哑光(铝色)、黑色、拉丝、钢色



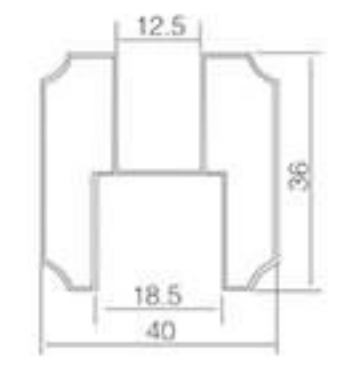
P-29 弧形拉杆
规格: 12/18mm
长度: 6m
颜色: 哑光(铝色)、黑色、拉丝、钢色



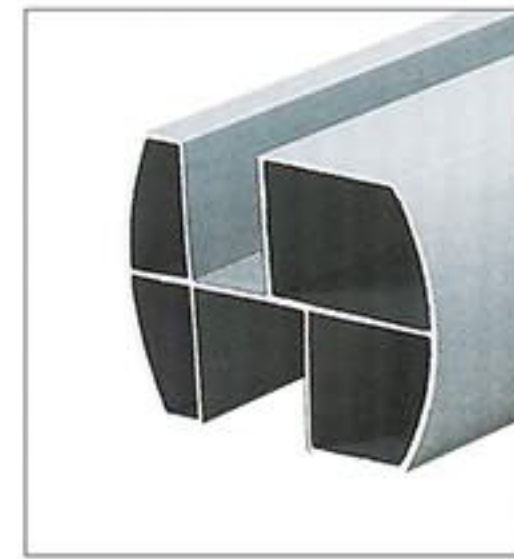
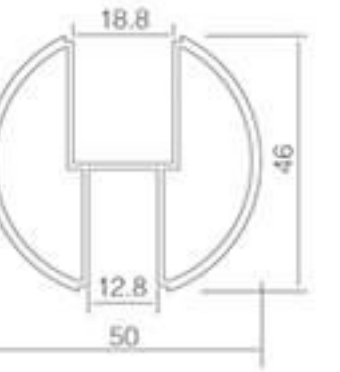
P-24 12mm圆形卡杆
规格: 12mm
长度: 6m
颜色: 哑光(铝色)、黑色、拉丝、钢色



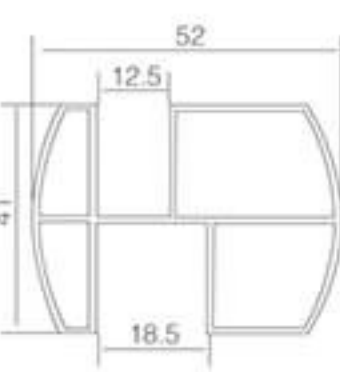
P-06A(加厚) 中方拉杆
规格: 12/18mm
长度: 6m
颜色: 哑光(铝色)、黑色、拉丝、钢色



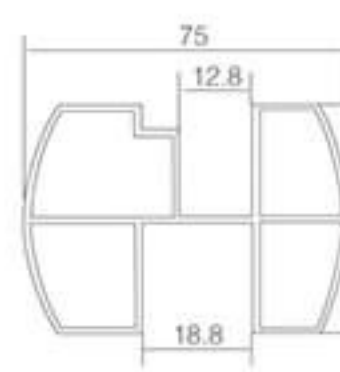
P-11A 大圆拉杆
规格: 12/18mm
长度: 6m
颜色: 哑光(铝色)、黑色、拉丝、钢色



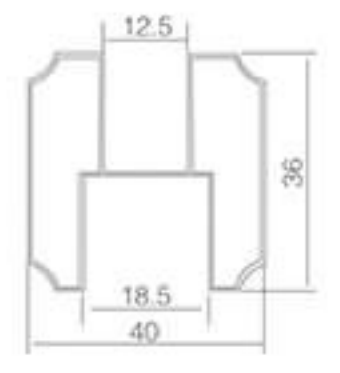
P-30
规格: 12/18mm
长度: 6m
颜色: 哑光(铝色)、黑色、拉丝、钢色



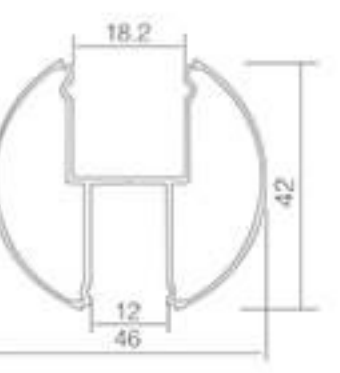
P-32 18系列拉杆
规格: 12/18mm
长度: 6m
颜色: 喷沙银



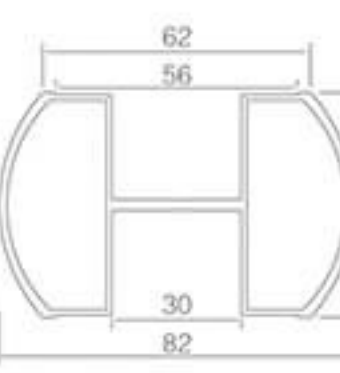
P-06 中方拉杆
规格: 12/18mm
长度: 6m
颜色: 哑光(铝色)、黑色、拉丝、钢色



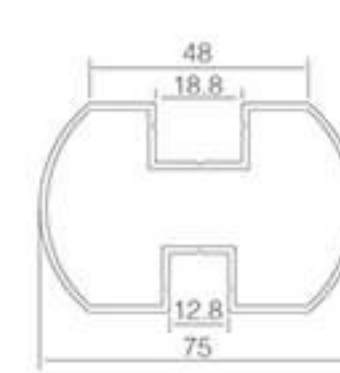
P-11 大圆拉杆
规格: 12/18mm
长度: 6m
颜色: 哑光(铝色)、黑色、拉丝、钢色



P-31 加厚板专用拉杆
规格: 25-30mm
长度: 6m
颜色: 哑光(铝色)、黑色、拉丝、钢色

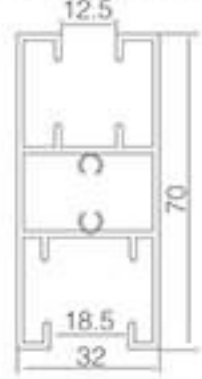


P-33 33系列拉杆
规格: 12/18mm
长度: 5m
颜色: 哑光(铝色)

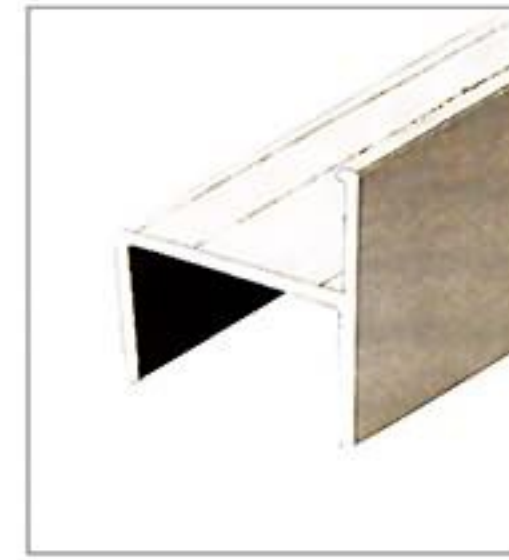
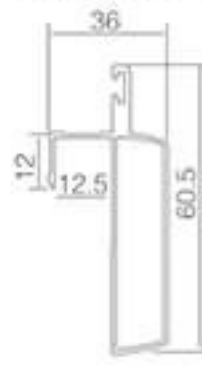




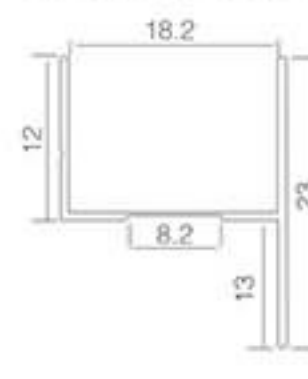
83-21 7公分方脚套
规格: 12/18mm
长度: 6m
颜色: 哑光(铝色)、黑色、**拉丝**、铜色



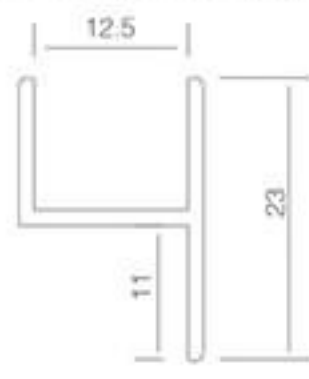
83-12 6公分门边
规格: 12mm
长度: 4m
颜色: 哑光(铝色)、黑色、**拉丝**、铜色



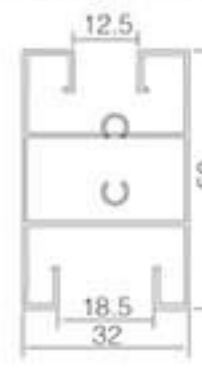
P-02A(加厚) 18mm普通门边
规格: 18mm
长度: 3.7/4m
颜色: 哑光(铝色)、黑色、**拉丝**、铜色



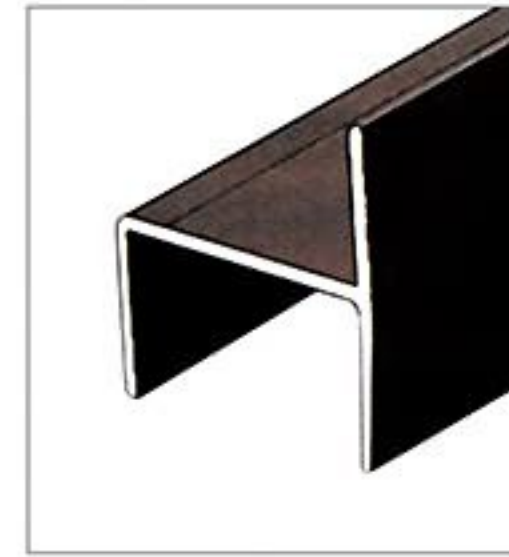
P-02A-12 12mm普通门边
规格: 12mm
长度: 3.7/4m
颜色: 哑光(铝色)、黑色、**拉丝**、铜色



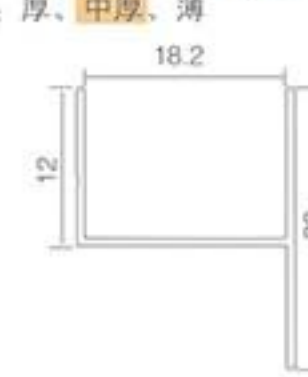
84-21 5公分方脚套
规格: 12/18mm
长度: 6m
颜色: 哑光(铝色)、黑色、**拉丝**、铜色



83-18 6公分门边
规格: 18mm
长度: 4m
颜色: 哑光(铝色)、黑色、**拉丝**、铜色



P-02B 18mm普通门边
规格: 18mm
长度: 3.7/4m
颜色: 哑光(铝色)、**黑色**、**拉丝**、铜色
厚度: 厚、**中厚**、薄



P-02A-12 12mm普通门边
规格: 12mm
长度: 3.7/4m
颜色: 哑光(铝色)、**黑色**、**拉丝**、铜色



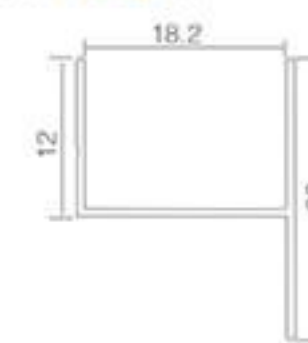
85-21 10公分方脚套
规格: 12/18mm
长度: 6m
颜色: 哑光(铝色)、黑色、**拉丝**、铜色



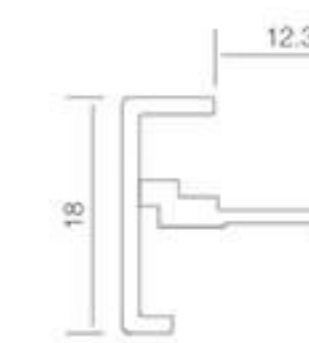
25-12 25系列脚套拉杆
规格: 12/18mm
长度: 6m
颜色: 哑光(铝色)、黑色、**拉丝**、铜色



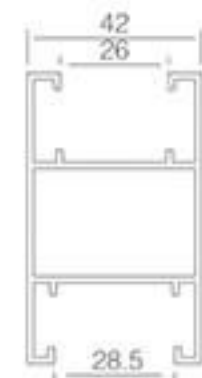
P-02B 18mm普通门边
规格: 18mm
长度: 3.7/4m
颜色: 哑光(铝色)、黑色、**拉丝**、铜色
厚度: 厚、**中厚**、薄



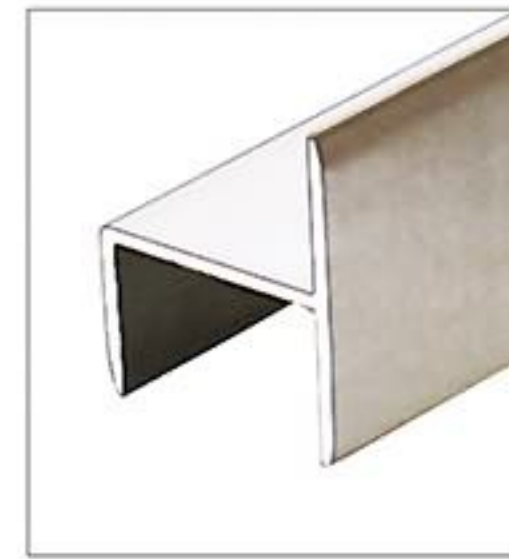
P-17 12mm带胶条门边
规格: 12mm
长度: 3.7/4m
颜色: 哑光(铝色)、黑色、**拉丝**、铜色



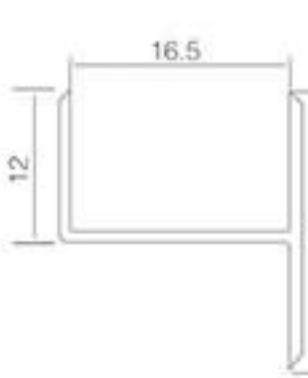
86-21 加厚板专用脚套
规格: 25/28mm
长度: 6m
颜色: 哑光(铝色)、黑色、**拉丝**、铜色



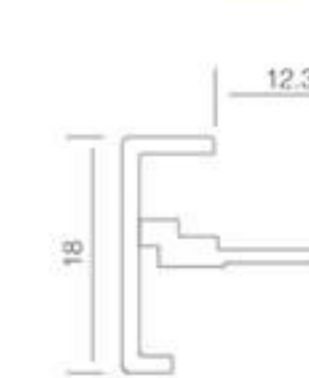
25-18 25系列脚套拉杆
规格: 12/18mm
长度: 6m
颜色: **喷沙银**、黑色、**拉丝**、铜色



P-02-16 16mm普通门边
规格: 16mm
长度: 3.7/4m
颜色: 哑光(铝色)、黑色、**拉丝**、铜色



P-17 12mm带胶条门边
规格: 12mm
长度: 3.7/4m
颜色: 哑光(铝色)、**黑色**、**拉丝**、铜色



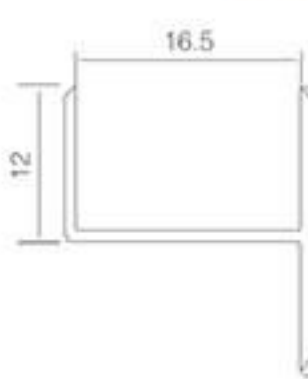
99-3 12mm纤体脚套
规格: 12mm
长度: 4m
颜色: 哑光(铝色)、黑色、**拉丝**、铜色



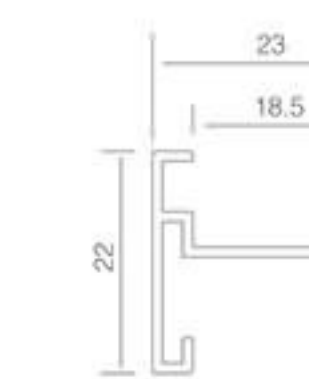
25-18 25系列门边
规格: 12/18mm
长度: 4m
颜色: 喷沙银、黑色、**拉丝**、铜色



P-02-16 16mm普通门边
规格: 16mm
长度: 3.7/4m
颜色: 哑光(铝色)、**黑色**、**拉丝**、铜色



P-19 18mm带毛条门边
规格: 18mm
长度: 3.7/4m
颜色: 哑光(铝色)、黑色、**拉丝**、铜色

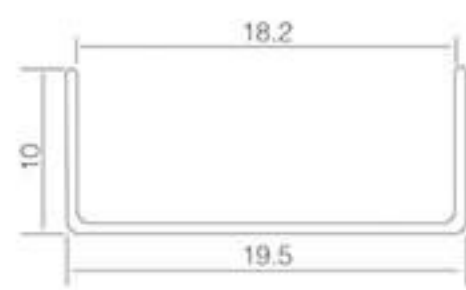




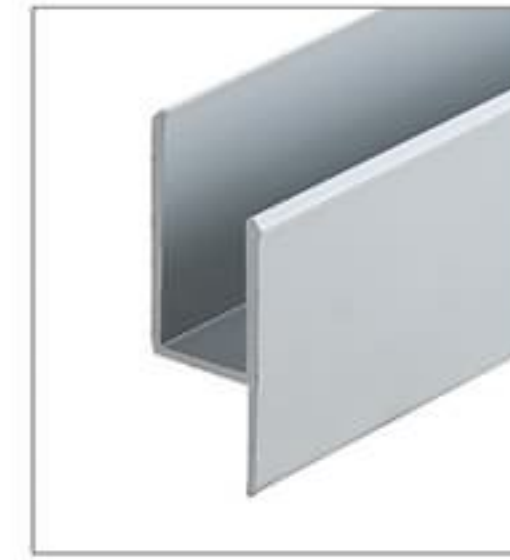
P-08 18mm上墙U槽
规格: 18mm
长度: 3.7/4m
颜色: 哑光(铝色)、黑色、拉丝、钢色



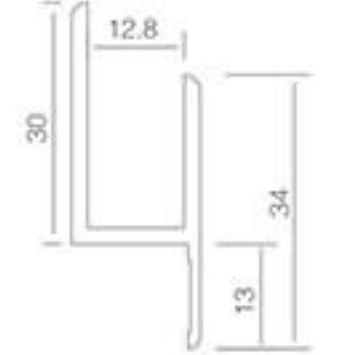
P-03-18 18mm封边
规格: 18mm
长度: 4m
颜色: 哑光(铝色)、黑色、拉丝、钢色



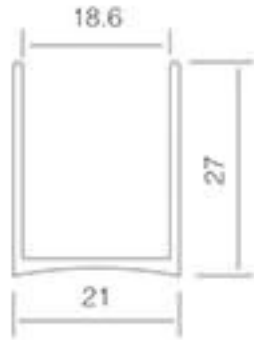
P-23 18mm接板槽
规格: 18mm
长度: 4m
颜色: 哑光(铝色)、黑色、拉丝、钢色



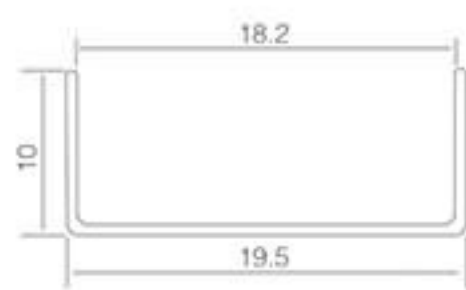
P-09 对称门边
规格: 12mm
长度: 3.7m
颜色: 哑光(铝色)、黑色、拉丝、钢色



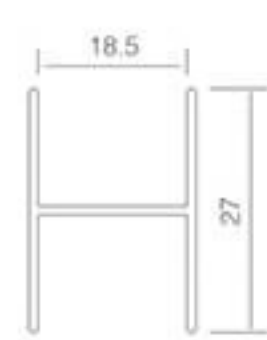
P-08 18mm上墙U槽
规格: 18mm
长度: 3.7/4m
颜色: 哑光(铝色)、黑色、拉丝、钢色



P-03-18 18mm封边
规格: 18mm
长度: 4m
颜色: 哑光(铝色)、黑色、拉丝、钢色



P-23 18mm接板槽
规格: 18mm
长度: 4m
颜色: 哑光(铝色)、黑色、拉丝、钢色



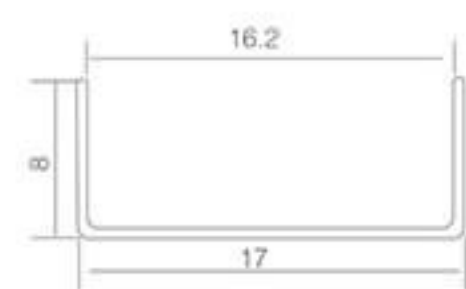
P-07 大L形门边
规格: 12/18mm
长度: 1.8m
颜色: 哑光(铝色)、黑色、拉丝、钢色



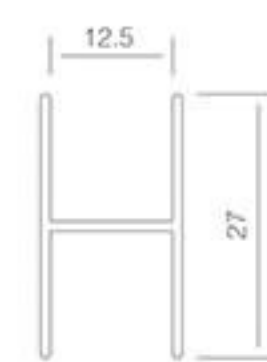
P-13A(加厚) 12mm上墙U槽
规格: 12mm
长度: 3.7/4m
颜色: 哑光(铝色)、黑色、拉丝、钢色



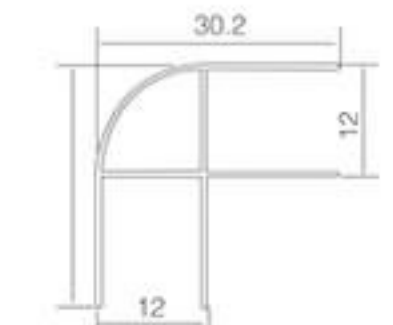
P-03-16 16mm封边
规格: 16mm
长度: 4m
颜色: 哑光(铝色)、黑色、拉丝、钢色



P-22 12mm接板槽
规格: 12mm
长度: 4m
颜色: 哑光(铝色)、黑色、拉丝、钢色



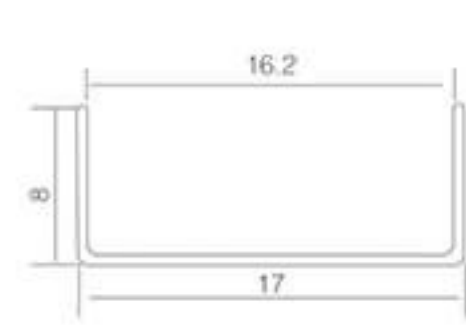
P-40 12mm转角
规格: 12mm
长度: 4m
颜色: 哑光(铝色)、黑色、拉丝、钢色



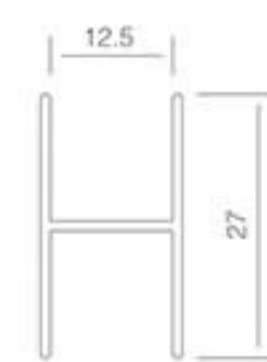
P-13 12mm上墙U槽
规格: 12mm
长度: 3.7/4m
颜色: 哑光(铝色)、黑色、拉丝、钢色



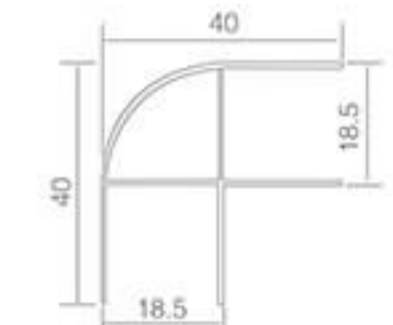
P-03-16 16mm封边
规格: 16mm
长度: 4m
颜色: 哑光(铝色)、黑色、拉丝、钢色



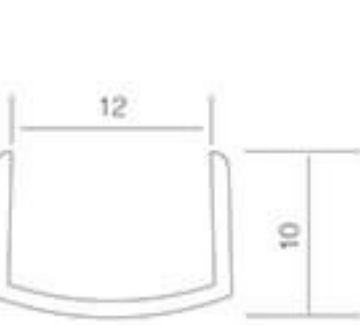
P-22 12mm接板槽
规格: 12mm
长度: 4m
颜色: 哑光(铝色)、黑色、拉丝、钢色



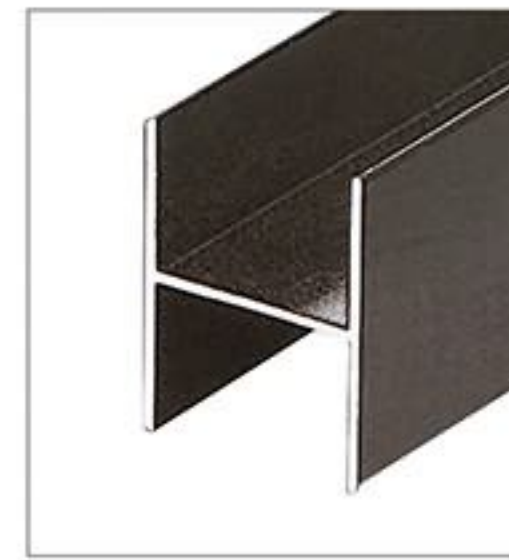
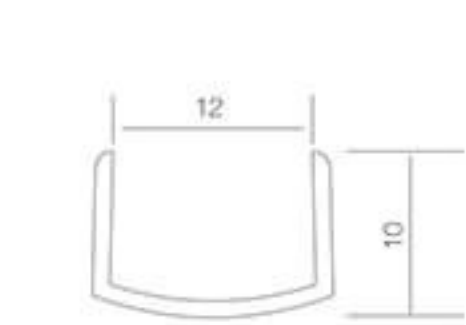
P-41 18mm转角
规格: 18mm
长度: 4m
颜色: 哑光(铝色)、黑色、拉丝、钢色



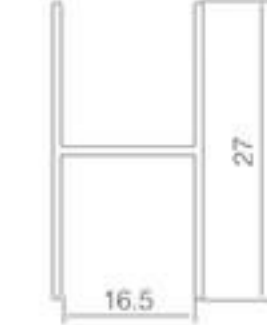
P-05 12mm康贝特封边
规格: 12mm
长度: 4m
颜色: 哑光(铝色)、黑色、拉丝、钢色



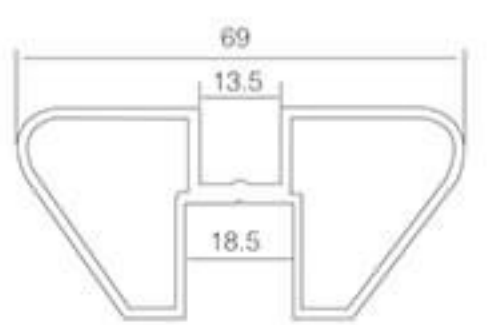
P-05 12mm康贝特封边
规格: 12mm
长度: 4m
颜色: 哑光(铝色)、黑色、拉丝、钢色



P-25 16mm接板槽
规格: 16mm
长度: 4m
颜色: 哑光(铝色)、黑色、拉丝、钢色



P-33 梯形拉杆
规格: 12/18mm
长度: 6m
颜色: 哑光(铝色)、黑色、拉丝、钢色



部分工程案例

广东省：

中国移动南方基地
广州恒宝华庭
广州方圆大厦
广州利通大厦
广州时代国际大厦
广州火车站
广州珠江新城高德置地F1-5
广州珠江新城高德置地F2-3
广州珠江新城汇美大厦
广州交通信息指挥中心(创展大厦)
广州珠江新城烟草大厦
广州天河体育中心体育馆
广州天河体育中心地下广场
广东省政府七号办公大楼
广州空军司令部
广州军区环境检测站
广州中山大学
广州美术学院教学大楼
广州暨南大学教学楼
广州大学城华南师范大学
广州大学城广州大学
广州番禺女子学院
广州地铁站2号线、3号线、5号线
广州白云国际会议中心
广州星海音乐厅
广州造船厂新客滚轮(豪华型)
广州北京路光明电影院

深圳市：

深圳招商银行研发中心
深圳发展银行
深圳水景物流中心
深圳南山天虹商场

珠海市：

珠海国税局
珠海佳能公司
珠海美术馆

梅州市：

梅州烟厂（五叶神）
梅州嘉应学院
梅州兴宁念佛堂

佛山市：

佛山广播电视大学
佛山百花广场
佛山三水广场

惠州市：

惠州市惠阳淡水世贸广场
惠州陈江中信广场
惠州澳头丰华商务大厦

中山市：

中山市博览中心
中山国税局

北京市：

北京奥运村鸟巢馆
北大口腔医院
北京国贸三期工程
北京嘉里中心
北京海淀区球类馆

上海市：

上海汽车城
同济大学
上海航天研究所
上海航天城

四川省：

成都市会展中心
成都市石油学院

重庆：

重庆会展中心
重庆重咨大厦
重庆富士康

武汉市：

武汉保利文化广场
武汉光谷软件园6期工程
武汉化学工程总公司(武汉研发中心)

新疆自治区：

乌鲁木齐油田科技
乌鲁木齐中泰化学
乌鲁木齐新时代大酒店

辽宁省：

沈阳市金碧海洋之星
沈阳市兴隆大家庭
大连飞机场
大连海事大学
大连轻轨站
大连星海广场
大连中信银行
大连检疫局

浙江省：

杭州阿里巴巴淘宝网
杭州中天大厦
杭州富康大厦
宁波市市政府
宁波市金龙中心

湖南省：

中国电信大楼
华天大酒店

江西省：

江西省国际金融中心
江西省中航广场
江西省华南城大商场
江西省奥体中心

安徽省：

安徽新桥国际机场
安徽省图书馆
安徽省地质资料库
安徽新会展中心
安徽新广电中心

广西省：

北海机场

海南省：

三亚南田度假酒店

贵州省：

贵州300医院

海外地区：

中国驻纽约领事馆